

Product data sheet

✉ sales@brannan.co.uk

☎ +44 (0)1946 816600

🌐 brannan.co.uk

BT041 - STAINLESS STEEL SLIM CASE BIMETAL THERMOMETERS



Features:

- Thermometer with stainless steel 304 case and crimped bezel
- Anti-parallax dial that reduces error
- Choice of temperature ranges, dial diameters and stem lengths
- Back entry, bottom entry or adjustable angle connections
- Recalibration screw
- Stainless steel pockets can be supplied as extra. Use of a thermowell (pocket) is always recommended
- Wide range of applications including general industrial process, ventilation, heating and air conditioning, water/wastewater.

Standard product specifications:

Dial diameters	75mm, 100mm, 125mm & 150mm
Design	ASME B40.200 Compliant
Accuracy class	+/-1% (ASME B40.200 Grade A)
Ranges	-30 to +70°C&F through to 0 to +300°C&F
Case	Stainless steel AISI 304
Bezel	Stainless steel AISI 304 - crimped
Connection	1/2" BSP Stainless steel, bottom, back & adjustable connection (NPT & BSPT on request)
Stem	100mm (50mm, 150mm, 200mm, 250mm or 300mm available on request) 304 stainless steel (316 also available on request)
Sensor mechanism	Standard bimetal coil
Window	Glass
Pointer	Black aluminium
Filling	Dry (glycerine filled available on request)
Protection	IP 67
Calibration	UKAS certification, certificate traceable to recognised national standard or statement of conformity, if required

Note:

Loosen the screws on either side of the adjustable bracket before gently angling thermometer as required. Tighten screws again before use. See notes on page 4 of this document.

Product data sheet

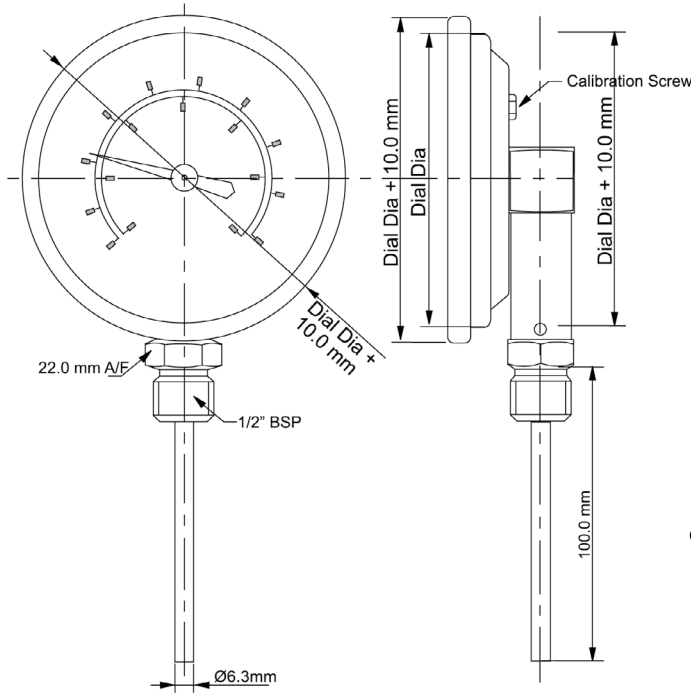
✉ sales@brannan.co.uk

☎ +44 (0)1946 816600

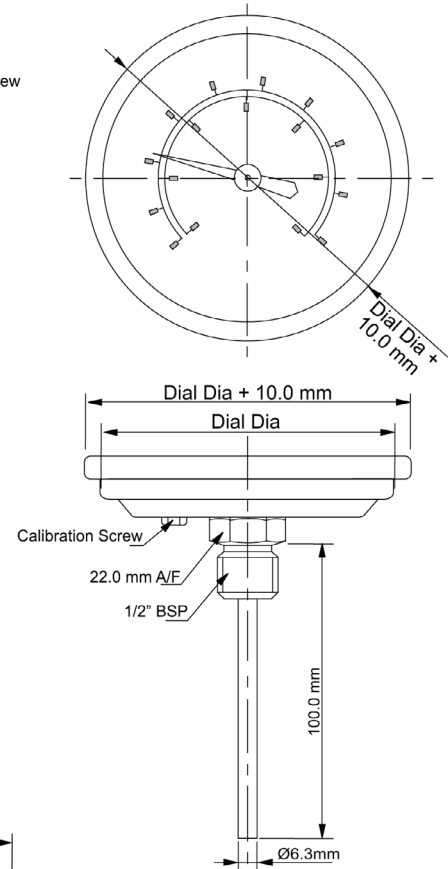
🌐 brannan.co.uk

Dimensions:

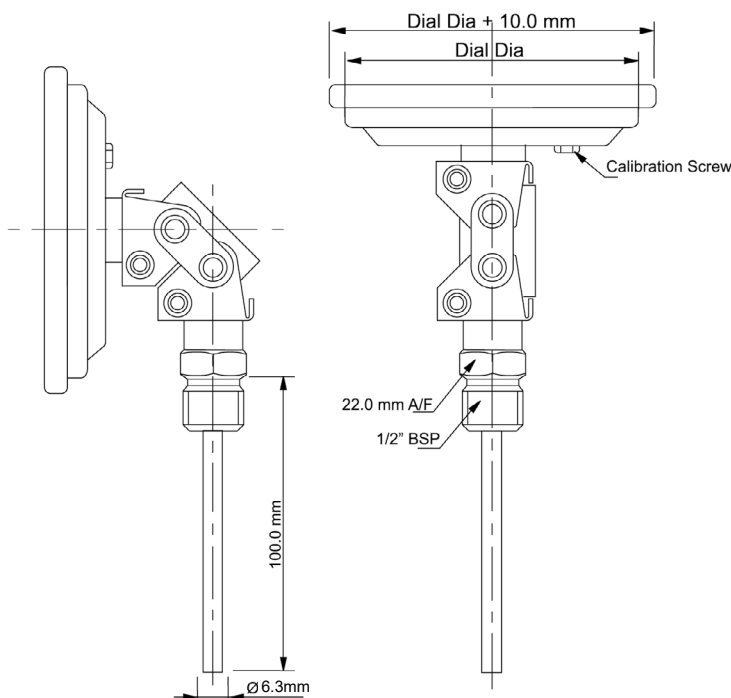
Bottom entry



Back entry




Adjustable entry



Weights & packaging dimensions available on request

Product data sheet

 sales@brannan.co.uk

 +44 (0)1946 816600

 brannan.co.uk

Standard product numbers:

The following are our standard product numbers for 100mm diameter, adjustable angle thermometers. Special products can be supplied on request, for example, customer own branding, alternative connection, range, etc. Minimum order quantities apply. Please contact our Sales Team for further information.

Thermometer product numbers:

Range	Stem length	Thermometer product number	
		1/2" BSP (M)	1/2" NPT (M)
-10 to +60°C&F	63mm	74/225/0	74/225/1
0 to +120°C&F		74/227/0	74/227/1
-10 to +60°C&F	100mm	74/226/0	74/226/1
0 to +120°C&F		74/228/0	74/228/1
-10 to +60°C&F	150mm	74/235/0	74/235/1
0 to +120°C&F		74/237/0	74/237/1
-10 to +60°C&F	225mm	74/236/0	74/236/1
0 to +120°C&F		74/238/0	74/238/1

Corresponding thermowell product numbers:

Stem length	Thermowell material	Corresponding thermowell product number (M x F)	
		1/2" BSP	1/2" NPT
63mm	Brass	74/233/0	74/233/6
	SS304	74/216/1	74/216/6
	SS316	74/234/0	74/234/6
100mm	Brass	74/233/1	74/233/7
	SS304	74/216/0	74/216/7
	SS316	74/234/1	74/234/7
150mm	Brass	74/233/2	74/233/8
	SS304	74/216/2	74/216/8
	SS316	74/234/2	74/234/8
225mm	Brass	74/233/3	74/233/9
	SS304	74/216/3	74/216/9
	SS316	74/234/3	74/234/9

All thermometer stem diameter. 6.3mm
All thermowell to fit 6.3mm diameter stem

Calibration product numbers:

Calibration	No of points	Product number
UKAS	3pt	49/070/0
Traceable to National Standards	1pt	49/099/0
	3pt	49/101/0
	4pt	49/104/0
	5pt	49/105/0

Product data sheet

✉ sales@brannan.co.uk

☎ +44 (0)1946 816600

🌐 brannan.co.uk

Please read before attempting to change angle of adjustable angle bimetal thermometers.

Setting the connection angle



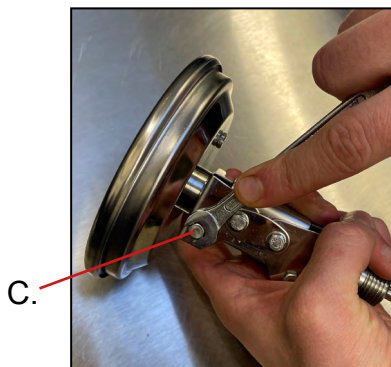
To adjust the thermometer face display angle, firstly, loosen off screws A. & B. on either side of the adjustable bracket.



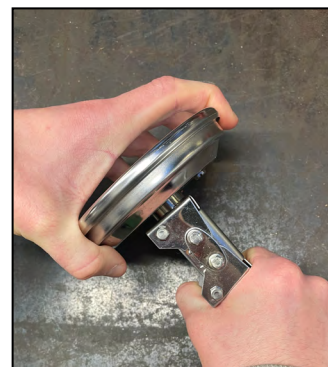
Set the thermometer face to the required angle. Retighten the screws.

Face alignment

Before rotating the thermometer face ensure the thermometer is set in the back connection alignment. Never rotate the thermometer face when the bracket is set in an angled alignment.



Loosen off the screws C. on either side of the adjustable bracket.



Holding both the thermometer face and the adjustable bracket, rotate the thermometer face to the desired position. No more than minimum force should be required. Retighten the screw(s).