

# Product data sheet

✉ [sales@brannan.co.uk](mailto:sales@brannan.co.uk)

☎ +44 (0)1946 816600

🌐 [brannan.co.uk](http://brannan.co.uk)

## ASU040 / ASR040 - SYPHONS



### Product features:

- Reduces the process temperature to protect the pressure instrument.
- For use with liquids, gases, and vapours
- Protects from pressure spikes and pulsations
- Choice of materials for a variety of different applications
- Can be used in combination with a shut off valve
- Ring/Coil type (ASR040) for vertical installation
- U type (ASU040) for horizontal installation
- **Brannan** quality

### Product applications:

- Oil and gas
- Chemical and Petrochemical
- Water and wastewater

### Product specifications:

Type	U type or Ring type
Pressure & temperature ratings	100 bar @ 100°C 95 bar @ 150°C 85 bar @ 250°C 80 bar @ 300°C 70 bar @ 350°C 63 bar @ 400°C
Instrument connection	1/2" female/male
Process connection	1/2" female/male
Body material	SS 316, SS 316L, carbon steel
Pipe schedule	SCH 40, SCH 80

# Product data sheet

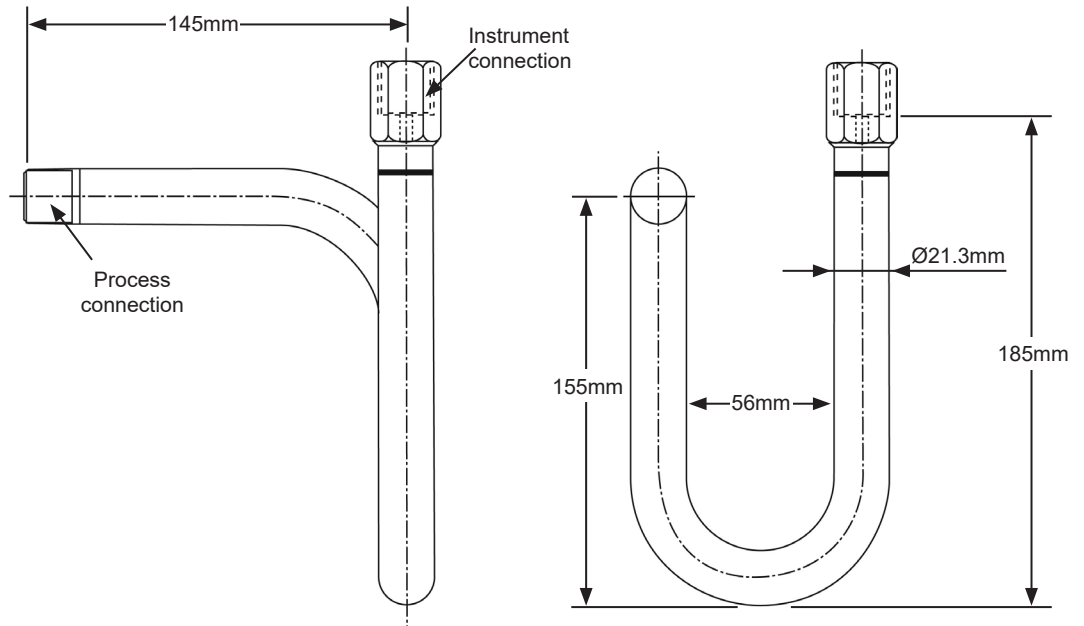
✉ [sales@brannan.co.uk](mailto:sales@brannan.co.uk)

☎ +44 (0)1946 816600

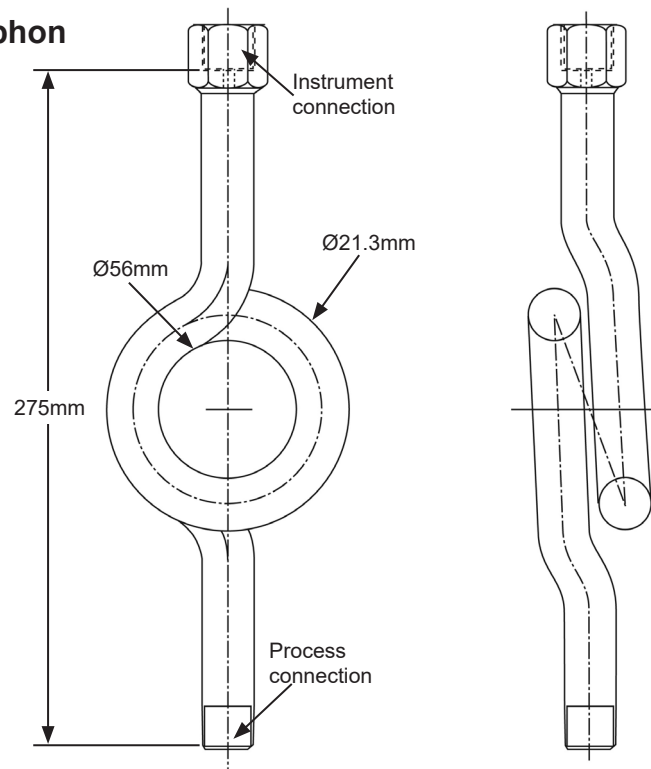
🌐 [brannan.co.uk](http://brannan.co.uk)

## Product dimensions:

### ASU040 - U type syphon




### ASR040 - Ring type syphon



# Product data sheet

 [sales@brannan.co.uk](mailto:sales@brannan.co.uk)

 +44 (0)1946 816600

 [brannan.co.uk](http://brannan.co.uk)

## Product numbers:

All ASU040 and ASR040 syphons are ordered to specific customer specifications. Please use below matrix to create your unique ordering product reference, using the values in bold.

Make	Model	Wetted material	Process/instruments connection	Connection size & type	Extras
Brannan (BRN)	U type (ASU040)	SS316 (316)	Female to Female (FF)	U type SCH 40 (U40)	Materials test certificate (MTC)
	Ring type (ASR040)	SS316L (316L)	Male to Male (MM)	Ring type SCH 40 (R40)	
		Carbon steel (CAR)	Male to Female (MF)	Ring type SCH 80 (R80)	

## Order example:

Make	Model	Wetted material	Process/instruments connection	Connection size & type	Extras
BRN	ASU040	316	MF	8	MTC

Product reference: BRNASU040/316/MF/8/MTC