

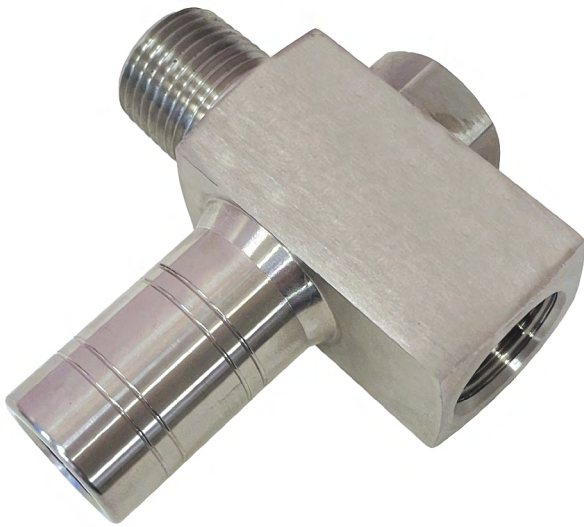
Product data sheet

✉ sales@brannan.co.uk

☎ +44 (0)1946 816600

🌐 brannan.co.uk

AOP040 - OVER PRESSURE PROTECTOR



Product features:

- Protects pressure instruments from sudden pressure changes and surges
- Automatically shuts off pressure to the instrument once the preset pressure is exceeded
- Will only reopen once pressure drops back below a certain value
- Numerous adjustable ranges
- Various materials available
- **Brannan** quality

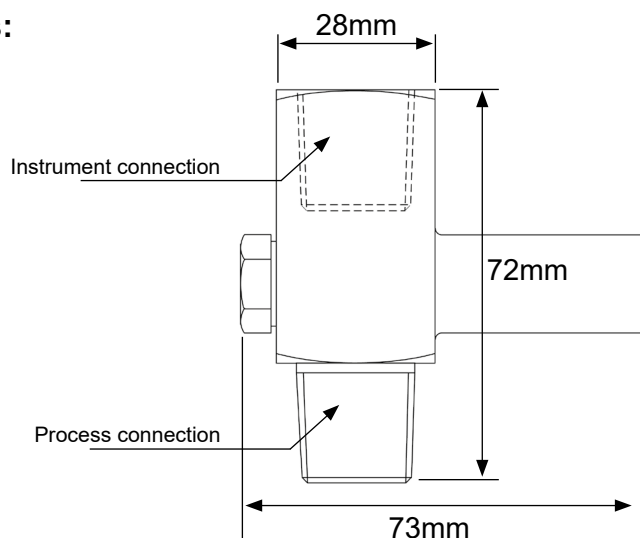
Product applications:

- Oil and gas
- Chemical and petrochemical
- Water and wastewater

Product specifications:


Adjustable ranges	1 bar to 400 bar
Max working pressure	400 bar (contact Sales for pressure above 400 bar)
Working temperature	-40 to 120°C
Connection	1/2" BSP/NPT m x f
Material	SS 316, SS 316L, Hastelloy-C, Monel

Product dimensions:



Product data sheet

 sales@brannan.co.uk

 [+44 \(0\)1946 816600](tel:+44(0)1946816600)

 brannan.co.uk

Product numbers:

All AOP040 over pressure protectors are ordered to specific customer specifications. Please use below matrix to create your unique ordering product reference, using the values in bold.

Make	Model	Wetted material	Connection size & type	Adjustable range	Extras
Brannan (BRN)	AOP040 (AOP40)	SS316 (316)	1/2" x 1/2" BSP (7)	1 to 2 bar (+1+2)	Materials test certificate (MTC)
		SS316L (316L)	1/2" x 1/2" NPT (8)	2 to 6 bar (+2+6)	
		Monel (MON)		4 to 14 bar (+4+14)	
		Hastelloy C (HAS)	15 to 40 bar (+15+40)		
			25 to 70 bar (+25+70)		
			50 to 140 bar (+50+140)		
			100 to 210 bar (+100+210)		
250 to 400 bar (+250+400)					

Order example:

Make	Model	Wetted material	Connection size & type	Adjustable range	Extras
BRN	AOP40	316L	8	+15+40	MTC

Product reference: BRNAOP40/316L/8/+15+40/MTC