

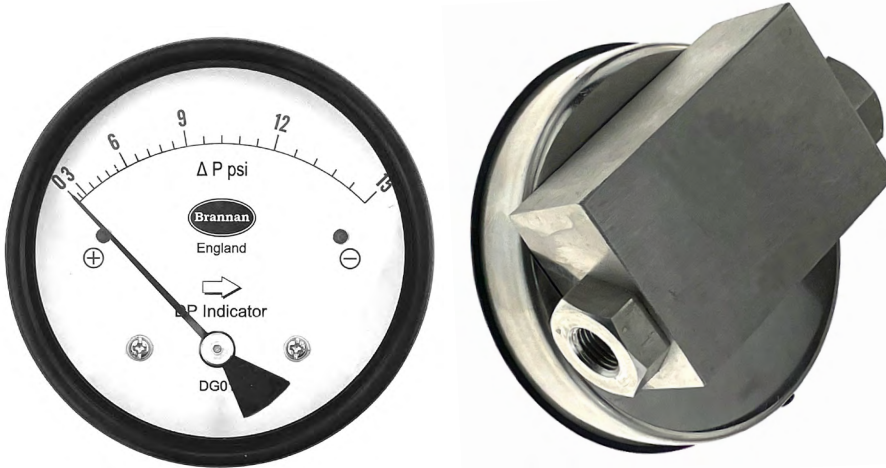
Product data sheet

✉ sales@brannan.co.uk

☎ +44 (0)1946 816600

🌐 brannan.co.uk

DG010 - DIFFERENTIAL PRESSURE GAUGE - PISTON TYPE



Product features:

- Magnetic piston principle used to measure pressure differentiation
- High static pressure
- Bottom, back or In-line connection
- Aluminium, brass or SS 316 body
- Ingress protection IP 65
- +/- 2% accuracy
- **Brannan** quality and accuracy

Applications:

- Used to measure pressure drops
- Filtration systems
- Hydraulic systems
- Leak detection
- Water treatment

Standard product specifications:

Type	Piston type differential gauge
Migration of media	Marginal
Mounting	Direct mounting (others on request)
Dial diameters	63mm, 100mm & 150mm
Accuracy	+/- 2% FS
Ranges	0 to 0.25 bar through to 0 to 10 bar
Case	Stainless steel 304 with rubber ring
Process connection	1/4" BSP/NPT male and female
Connection orientation	Bottom, back, or in-line
Measuring principle	Magnetic coupling using piston
Body material	Aluminium, brass or stainless steel 316
Magnet	Ceramic
O-ring	Buna-N (Viton also available)
Window	Acrylic glass
Dial	White aluminium
Pointer	Black aluminium
Filling	Dry (glycerine & silicone optional)
Max static pressure	200 bar (400 bar optional)
Operating temperature	Ambient: 0 to 80°C Medium temperature: max 80°C
Ingress protection	IP65

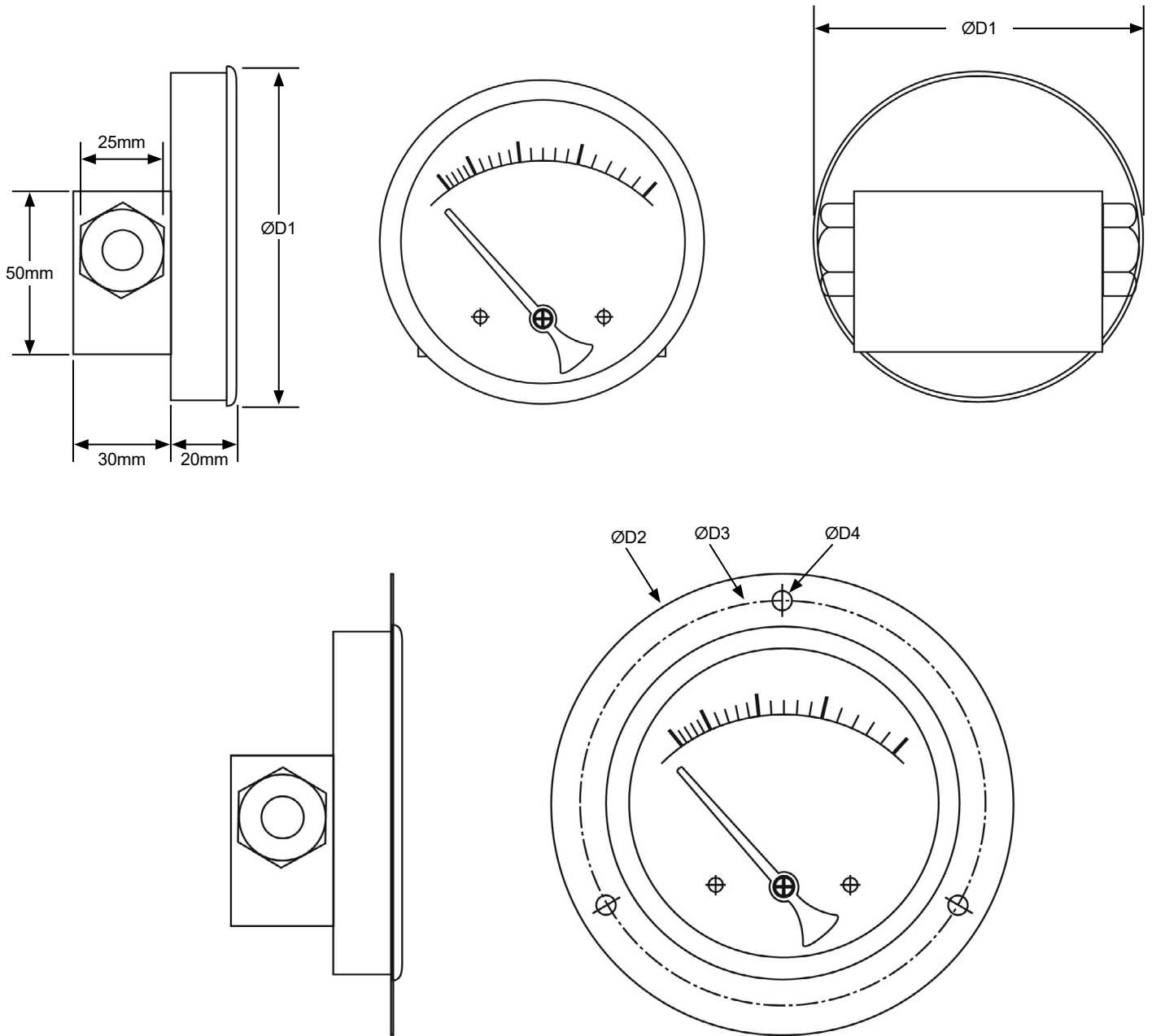
Product data sheet

✉ sales@brannan.co.uk

☎ +44 (0)1946 816600

🌐 brannan.co.uk


Product dimensions



Dial size	ØD1	ØD2	ØD3	ØD4
Ø63	65mm	85mm	75mm	3.6mm
Ø100	101mm	134mm	118mm	6mm
Ø150	151mm	186mm	168mm	6mm

Product data sheet

 sales@brannan.co.uk

 +44 (0)1946 816600

 brannan.co.uk

Product numbers:

All DG010 dials are ordered to specific customer specifications. Please use below matrix to create your unique ordering product reference, using the values in bold.

Make	Model	Dial diameter	Ranges	Units	Process connection	Connection orientation	Body material	Extras	
Brannan (BRN)	DG010 (DG10)	63mm (63)	Bar only 0+0.25 0+0.5 0+1	Bar only (B)	1/4" BSP (M) (M3)	Bottom (BO)	SS 316 (316)	Static pressure 400 bar (S400)	
		100mm (100)	0+1.6 0+2.5 0+4 0+6 0+10		1/4" BSP (F) (F3)	Back (BK)	Brass (BRS)	Viton O ring (VIT)	
		150mm (150)	PSI only 0+5 0+10 0+15 0+20 0+25 0+30 0+40 0+50 0+60 0+80 +9+100 0+150		1/4" NPT (M) (M4)	In-line (IL)	Aluminium (AL)	Glycerine filling (G)	
					1/4" NPT (F) (F4)			Silicone filling (S)	
									Maximum pointer (MaxP)

Order example:

Make	Model	Dial diameter	Ranges	Units	Process connection	Connection orientation	Body material	Extras
BRN	DG10	100	0+15	P	F4	BO	316	S400

Product reference: BRNDG10/100/0+15/P/F4/BO/316/S400