

# Product data sheet

✉ [sales@brannan.co.uk](mailto:sales@brannan.co.uk)

☎ +44 (0)1946 816600

🌐 [brannan.co.uk](http://brannan.co.uk)

## DG012 - DIFFERENTIAL PRESSURE GAUGE CONVOLUTED DIAPHRAGM TYPE



### Product features:

- Magnetic coupling with convoluted diaphragm used to measure differential pressure
- No migration of the process media – zero leakage from high to low port
- Aluminium, brass, SS 316 or Monel body
- Ingress protection IP 65
- +/- 2% accuracy
- **Brannan** quality and accuracy

### Applications:

- Applications where no migration of the media from high pressure side to low pressure side is permitted.
- Leak detection
- Filtration systems

### Standard product specifications:

<b>Type</b>	Convoluted diaphragm type differential gauge
<b>Migration of Media</b>	Zero
<b>Mounting</b>	Direct (others on request)
<b>Dial diameters</b>	63mm, 80mm, 100mm, 115mm and 150mm
<b>Accuracy</b>	+/- 2% FS
<b>Ranges</b>	0 to 0.075 bar through to 0 to 4 bar
<b>Case</b>	Stainless steel 304 with rubber ring (optional engineered plastic case)
<b>Process connection</b>	1/4" NPT/BSP F (others available through adaptor)
<b>Connection orientation</b>	Bottom, back, or in-line (contact us for other variations)
<b>Measuring principle</b>	Magnetic coupling with convoluted diaphragm
<b>Body material</b>	Aluminium, brass, stainless steel 316 or Monel
<b>Wetted parts</b>	Diaphragm, body material, SS 302 spring & ceramic magnet
<b>Diaphragm</b>	Buna-N (Viton available on request)
<b>Window</b>	Float glass, acrylic glass or safety glass
<b>Dial</b>	White aluminium
<b>Pointer</b>	Black aluminium
<b>Filling</b>	Dry (glycerine/silicone filling optional)
<b>Max static pressure</b>	100 bar
<b>Operating temperature</b>	Ambient: 0 to 80°C Medium temperature: 0 to 80°C
<b>Ingress protection</b>	IP65

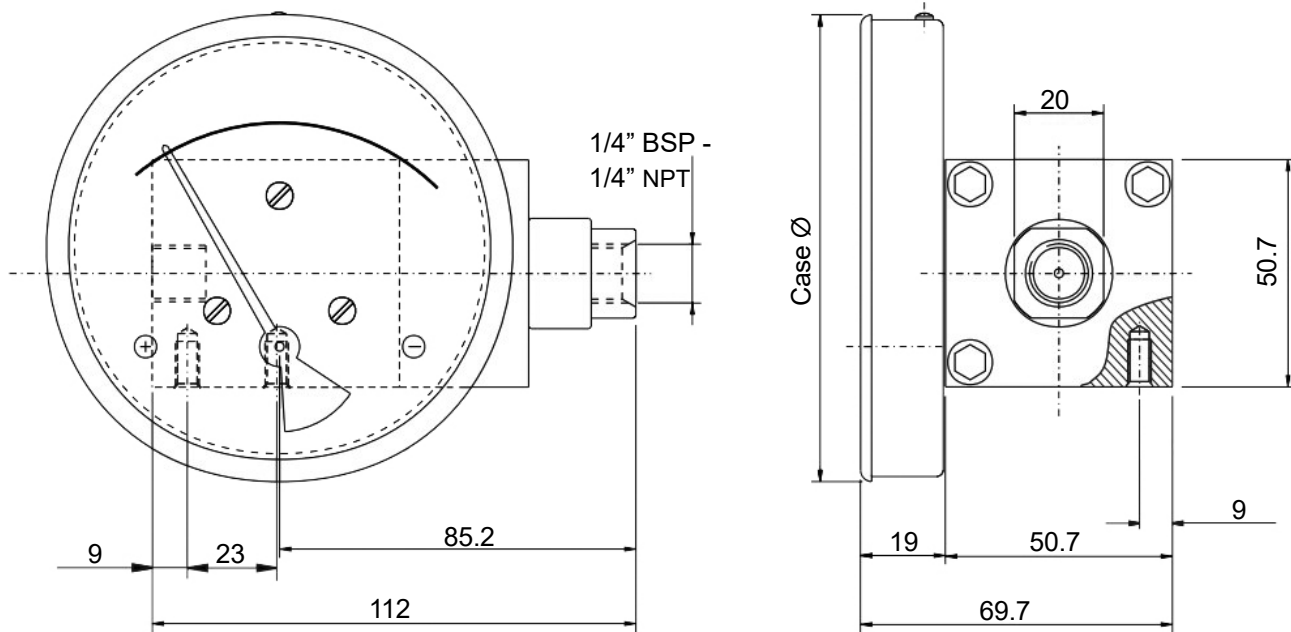
# Product data sheet

✉ [sales@brannan.co.uk](mailto:sales@brannan.co.uk)

☎ +44 (0)1946 816600

🌐 [brannan.co.uk](http://brannan.co.uk)


## Product dimensions (in mms)



Dial Ø	Case Ø
63mm	66.0mm
80mm	83.0mm
100mm	104.3mm
115mm	119.7mm
150mm	154.3mm

# Product data sheet

 [sales@brannan.co.uk](mailto:sales@brannan.co.uk)

 +44 (0)1946 816600

 [brannan.co.uk](http://brannan.co.uk)

## Product numbers:

All DG012 dials are ordered to specific customer specifications. Please use below matrix to create your unique ordering product reference, using the values in bold.

Make	Model	Dial diameter	Ranges	Units	Process connection	Connection orientation	Body material	Extras		
Brannan <b>(BRN)</b>	<b>DG012</b> <b>(DG12)</b>	63mm <b>(63)</b>	0 to 0.075 bar <b>(0+0.075)</b>	Bar only <b>(B)</b>	1/4" BSP (F) <b>(F3)</b>	Bottom <b>(BO)</b>	SS 316 <b>(316)</b>	Engineered plastic case* <b>(PLA)</b>		
		80mm <b>(80)</b>	0 to 1 Psi <b>(0+1)</b>	Psi only <b>(PSI)</b>	1/4" NPT (F) <b>(F4)</b>	Back <b>(BK)</b>	Brass <b>(BRS)</b>	Viton diaphragm <b>(VIT)</b>		
		100mm <b>(100)</b>	Through to		1/2" BSP (F)* <b>(F7)</b>	In-line <b>(IL)</b>	Aluminium <b>(AL)</b>	Glycerine filling <b>(G)</b>		
		115mm <b>(115)</b>	0 to 4 bar <b>(0+4)</b>		1/2" NPT (F)* <b>(F8)</b>		Monel <b>(MON)</b>	Silicone filling <b>(S)</b>		
		150mm <b>(150)</b>	0 to 60 Psi <b>(0+60)</b>					Maximum pointer <b>(MaxP)</b>		
				Other units available on request	* through adaptor	Contact for other options	Front flange/panel mount <b>(FF)</b>	2" pipe mounting kit <b>(PMO)</b>	Surface mounting kit <b>(SMO)</b>	* 63mm, 115mm & 150mm only.

## Order example:

Make	Model	Dial diameter	Ranges	Units	Process connection	Connection orientation	Body material	Extras
<b>BRN</b>	<b>DG12</b>	<b>100</b>	<b>0+0.075</b>	<b>B</b>	<b>F4</b>	<b>BO</b>	<b>316</b>	<b>G</b>

Product reference: BRNDG12/100/0+0.075/B/F4/BO/316/G