

Product data sheet

✉ sales@brannan.co.uk

☎ +44 (0)1946 816600

🌐 brannan.co.uk

ATW041 - FLANGED THERMOWELL



Product features:

- Heavy duty design
- Provides isolation between the temperature instrument and the process media
- Allows the instrument to be removed without draining the system
- Manufactured from solid bar stock
- Suitable for dial thermometers
- Various bore diameters to suit a wide range of temperature sensors.
- Stainless steel 304, 316, 316L, Monel, Duplex, or Hastelloy C, Inconel materials available
- Straight, stepped, or tapered design
- Flange welded to shank
- Wake frequency calculation optional
- **Brannan** quality

Product applications:

- Oil and gas.
- Chemical and Petrochemical
- Power generation
- Water & wastewater
- Other process applications

Product specifications:

Type	Flanged thermowell
Design	Straight, stepped or tapered – flange welded on solid bore shank
Thermowell length	On request
Internal bore diameter	6.6mm, 10.5mm or 12.5mm (others on request)
Instrument connection	1/2" BSP / NPT F
Process connection (ASME B16.5)	1", 1 1/2", 2" or 3"
Pressure class (lbs)	150, 300, 600, 900 or 1500
Facing	Raised face, flat face or ring joint type
Material	SS 304, SS 316, SS 316L, Hastelloy-C, Monel, Inconel

Product data sheet

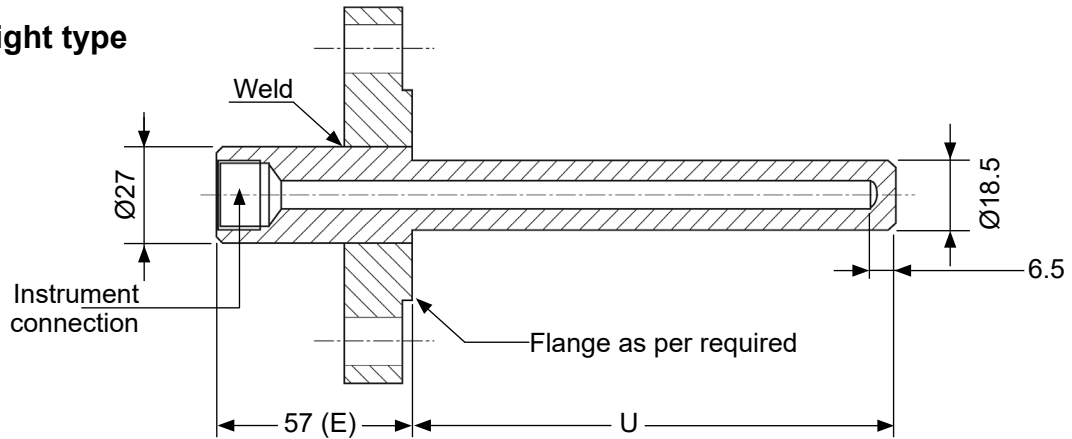
✉ sales@brannan.co.uk

☎ +44 (0)1946 816600

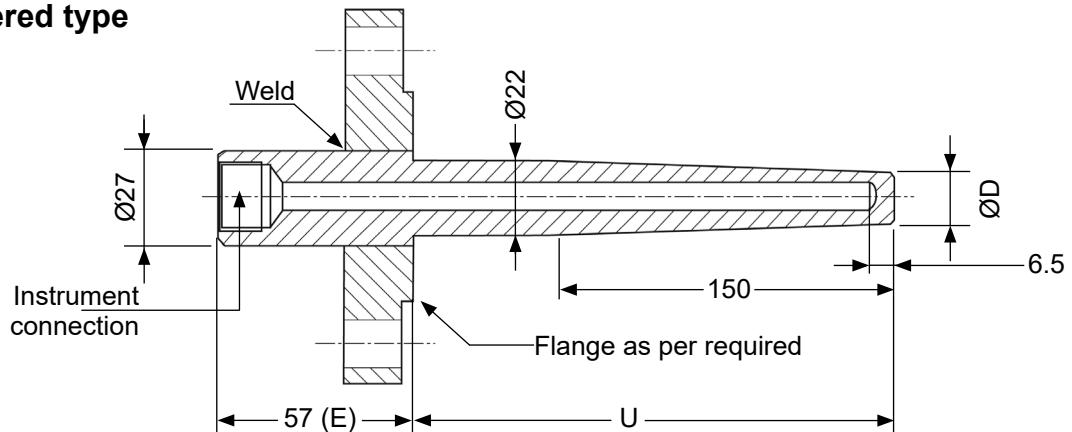
🌐 brannan.co.uk

Product dimensions:

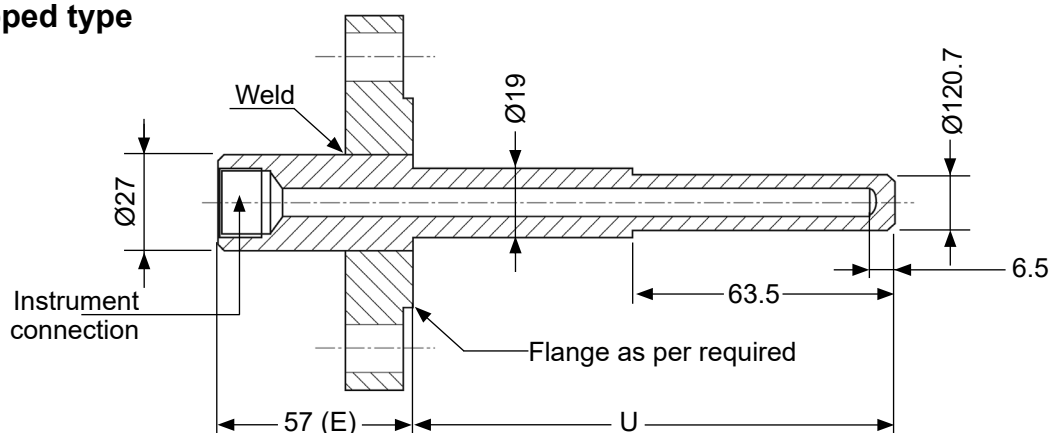
ATW041 - Straight type



ATW041 - Tapered type



ATW041 - Stepped type



Product data sheet

Product numbers:

All ATW041 thermowells are ordered to specific customer specifications. Please use below matrix to create your unique ordering product reference, using the values in bold.

Make	Model	Design	Process connection	Flange facing	Pressure class	Material	Internal bore diameter	Thermowell Insertion length (U)	Extension length (E)	Instrument connection	Extras
Brannan (BRN)	ATW041 (ATW41)	Welded flange straight shank (STR)	1" (1)	Raised face (RF)	150lbs (150)	SS304 (304)	6.6mm (6.6)	e.g. (100) for 100mm	Standard 57mm (STD)	1/2" BSP (7)	Compliance to NACE MR-0175 (NACE) Materials test certificate (MTC) Wake frequency calculation ASM PTC 19.3 (WFC)
			1 1/2" (1.5)	Flat face (FF)	300lbs (300)	SS316 (316)	10.5mm (10.5)			1/2" NPT (8)	
		Welded flange stepped shank (STE)	2" (2)	Ring joint type (RJ)	600lbs (600)	SS316L (316L)	12.5mm (12.5)		For other lengths, specify in mm, e.g. (50) for 50mm		
			3" (3)		900lbs (900)	Monel (MON)					
			4" (4)		1500lbs (1500)	Hastelloy-C (HAS) Inconel (INC) Duplex SS (DUP) Others available on request					
Welded flange tapered shank (TAP)											

Order example:

Make	Model	Design	Process connection	Flange facing	Pressure class	Material	Internal bore diameter	Thermowell Insertion length (U)	Extension length (E)	Instrument connection	Extras
BRN	ATW41	TAP	2	RF	150	316	6.6	230	STD	7	

Product reference: BRNTW41/TAP/2/RF/150/316/6.6/230/STD/7