

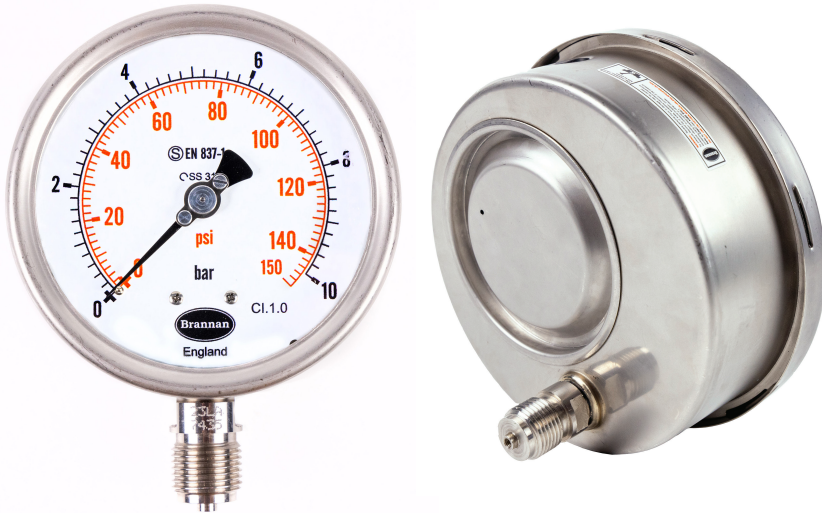
Product data sheet

✉ sales@brannan.co.uk

☎ +44 (0)1946 816600

🌐 brannan.co.uk

PG045 - STAINLESS STEEL SAFETY PRESSURE GAUGE



Product features:

- Safety pattern gauge designed for operator safety.
- Stainless steel case with solid front baffle wall and blowout back
- Safety glass window
- SS 316, SS316L or Monel wetted parts
- Suitable for corrosive pressure media
- Ingress Protection IP 66
- Case and socket welded
- Dry or fillable (glycerine, silicone, halocarbon)
- **Brannan** quality and accuracy

Applications:

- Where operator safety is critical
- Oil and gas
- Chemical and Petrochemical

Standard product specifications:

Dial diameters	63mm, 100mm, 115mm & 150mm
Design	BS EN 837
Safety category	S3; Safety pattern gauge with baffle wall
Accuracy class	1% (0.5% optional)
Ranges	-1 to 0 bar & psi through to 0 to 2500 bar & psi
Case	Stainless steel 304 (optional SS 316L)
Process Connection	1/8", 1/4", 3/8", 1/2" BSP/NPT/BSPT (others available on request)
Connection orientation	Bottom or lower back (150mm only)
Bezel	Stainless steel 304 bayonet bezel
Measuring principle	Bourdon tube SS 316 (optional SS 316L or Monel)
Movement	Stainless steel 304
Window	Laminated safety glass
Pointer	Black aluminium, micro adjustable
Filling	Dry, glycerine, silicone, or halocarbon
Working pressure	Steady: 75% full scale range Fluctuating: 60% full scale range Short time: Full scale range
Operating temperature	Ambient: -40 to +60°C Medium: -40 to +200°C, liquid filled: -20 to +100°C
Storage temperature	-40 to +60°C
Temperature effect	When temperature of the pressure element deviates from reference temperature of 20°C the maximum additional error is +/- 0.4 per 10°C of the span rising and falling
Ingress protection	IP 66
Calibration	UKAS certification, certificate traceable to recognised national standard or statement of conformity available on request

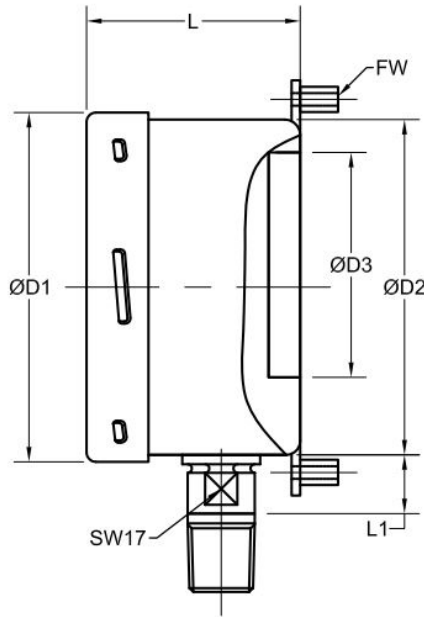
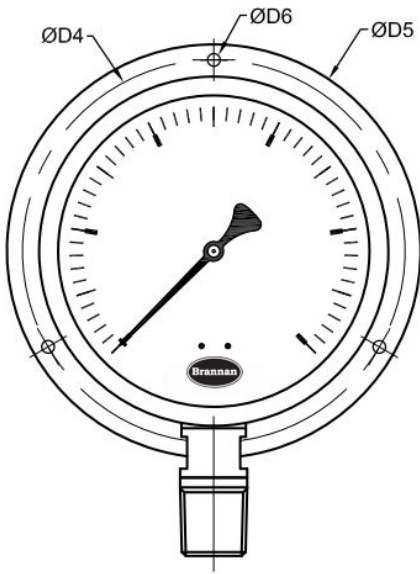
Product data sheet

✉ sales@brannan.co.uk

☎ +44 (0)1946 816600

🌐 brannan.co.uk

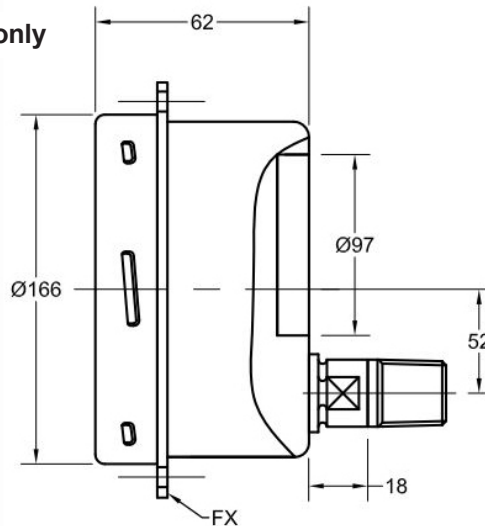
Product dimensions:



Dial size	Ø100	Ø115	Ø150
ØD1	109mm	127mm	166mm
ØD2	99mm	115mm	152mm
ØD3	85mm	97mm	113mm
ØD4	118mm	136mm	168mm
ØD5	132mm	152mm	186mm
ØD6	6mm	6mm	6mm
L	58mm	58mm	62mm
L2	13mm	18mm	18mm


Ø63mm dimensions on request.

Lower back entry - 150mm dial only



Product data sheet

 sales@brannan.co.uk

 +44 (0)1946 816600

 brannan.co.uk

Product numbers:

All PG045 dials are ordered to specific customer specifications. Please use below matrix to create your unique ordering product reference, using the values in bold.

Make	Model	Dial diameter	Ranges	Units	Connection size	Connection orientation	Filling	Extras
Brannan (BRN)	PG045 (PG45)	63mm (63)	-1 to 24 bar (-1+24)	Bar only (black) (B)	1/4" BSP (3)	Bottom (BO)	Dry - no filling (D)	316L wetted parts (316L)
		100mm (100)	-30 to 350 Hg/Psi (-30+350)	Psi only (black) (P)	1/4" NPT (4)	Lower back, (LB)	Glycerine (G)	Monel wetted parts (MON)
		115mm (115)	Through to	Bar outer (black) / psi inner (red) (BP)	1/4" BSPT (10)		Silicone (S)	0.5% accuracy (0.5%)
		150mm (150)	0 to 2500 bar (0+2500)	Psi outer (red) / bar inner (black) (PB)	3/8" BSP (5)	Halocarbon (H)	Materials Test Cer- tificate (MTC)	SS 316L case (CAS316L)
			0 to 36250 Psi (0+36250)	Psi outer (red) / bar inner (black) (PB)	3/8" NPT (6)			
				kPa outer (black) / Psi inner (red) (KP)	3/8" BSPT (11)		Back flange (BF)	
				Psi outer (red) / kPa inner (black) (PK)	1/2" BSP (7)			
					1/2" NPT (8)			
					1/2" BSPT (12)			

NB. Other units available on request

1. 150mm only

Order example:

Make	Model	Dial diameter	Ranges	Units	Connection size	Connection orientation	Filling	Extras
BRN	PG45	100	0+10	B	8	BO	D	316L,MTC

Product reference: BRNPG45/100/0+10/B/8/BO/D/316L,MTC

Calibration product numbers:

Calibration	No of points	Product number
UKAS	5pt	49/075/0
Traceable to National Standards	5pt	49/060/0

Other calibration types available on request