

Product data sheet

✉ sales@brannan.co.uk

☎ +44 (0)1946 816600

🌐 brannan.co.uk

SG040 - LOW PRESSURE, SCHAFFER TYPE GAUGE



Product features:

- Pressure gauge with attached diaphragm seal
- Circular diaphragm clamped between an upper and lower flange
- Stainless steel wetted parts
- Threaded or flanged process connection
- **Brannan** quality

Applications:

- Low pressure applications
- Aggressive pressure media
- Process Industry
- Oil & Gas
- Chemical/Petrochemical

Standard product specifications:

Dial diameters	100mm & 150mm
Design	EN 837-3
Accuracy class	1.6
Ranges	Up to 2.5 bar
Case / bezel	Stainless steel 304
Process connection	1/4", 3/8", 1/2" BSP/NPT (flange connection available on request)
Connection orientation	Bottom
Connection material	Stainless steel 316 (optional Stainless steel 316L, PTFE lined)
Measuring principle	Diaphragm
Diaphragm material	Stainless steel 316L (optional PTFE coated)
Upper & lower flange	Stainless steel; 316, optional Stainless steel 316L)
Movement	Stainless steel 304
Window	Glass (optional safety glass)
Pointer	Black aluminium
Operating temperature	Ambient: -40 to +60°C Medium: -40 to +100°C
Storage temperature	-40 to +60°C
Temperature effect	When temperature of the pressure element deviates from reference temperature of 20°C the maximum additional error is +/-0.4 per 10°C of the span rising and falling
Ingress protection	IP 54 (IP 65 optional)

Product data sheet

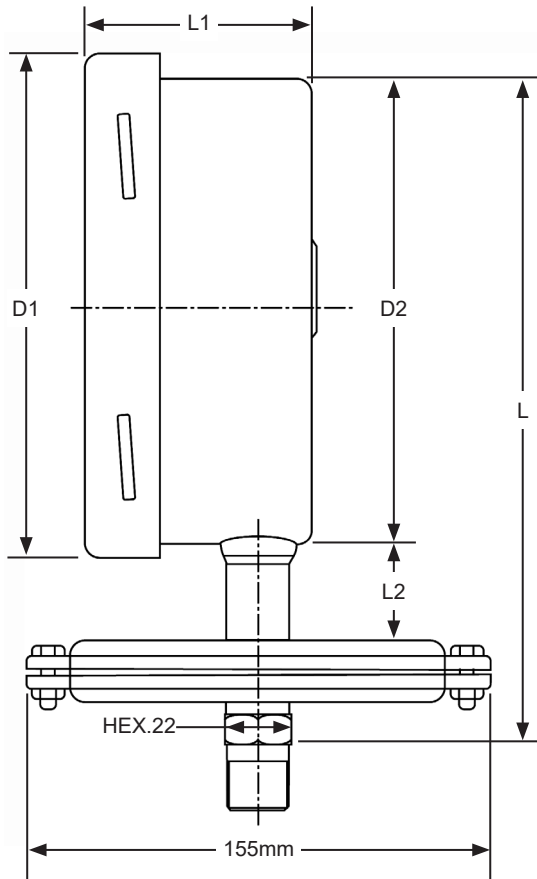
✉ sales@brannan.co.uk

☎ +44 (0)1946 816600

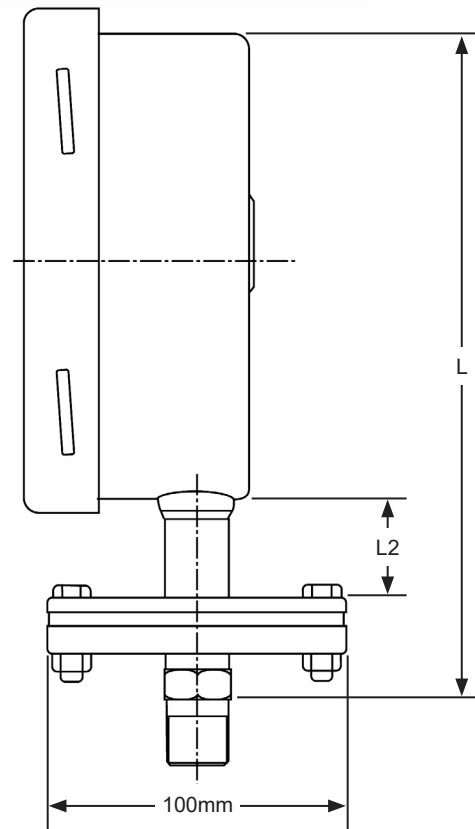
🌐 brannan.co.uk

Product dimensions:

For ranges ≤ 0.6 bar



For ranges > 0.6 bar



SIZE	100	150
ØD1	109	160
ØD2	98.5	152
L	170	223
L1	51	52
L2	35	35

Product data sheet

Product numbers:

All SG040 pressure gauges are ordered to specific customer specifications. Please use the below matrix to create your unique product reference, using the values in bold.

Make	Model	Dial diameter	Range	Units	Diaphragm Material	Flange Material	Process Connection	Extras
Brannan (BRN)	SG040 (SG40)	100mm (100)	0+10 0+30 0+60	inH2O (inner black) oz/in2 (outer red) (WO)	SS 316L (316L)	SS 316 (316)	1/4" BSP (3)	Materials Test Certificate (MTC)
		150mm (150)	0+100 0+160 0+200 0+300				SS 316L (316L)	
			-1+0 -1+1.5 0+0.6 0+1 0+1.6 0+2.5	Bar (outer black) Psi (inner red) (BP)			3/8" BSP (5)	Ingress protection IP65 (IP65)
							3/8" NPT (6)	Safety glass (SG)
							1/2" BSP (7)	Blow out disc (BOD)
							1/2" NPT (8)	
				*Other units available on request			*contact for flanged option	

Order example:

Make	Model	Dial diameter	Range	Units	Diaphragm Material	Flange Material	Process Connection	Extras
BRN	SG40	100	0+200	WO	316L	316L	8	SG

Product reference: BRNSG05/100/0+200/WO/316L/316L/8/SG