

Product data sheet

✉ sales@brannan.co.uk

☎ +44 (0)1946 816600

🌐 brannan.co.uk

ANV040 - STAINLESS STEEL NEEDLE VALVES



Product features:

- Soft seat type needle valve
- Provides complete shut off or adjustable throttling of the pressure media.
- Available in straight or 90° angled configuration
- Stainless steel 316, 316L, Monel or Hastelloy C materials available
- A choice of male, female, and socket weld connections
- NACE compliant optional
- **Brannan** quality

Product applications:

- Instrument isolation
- For use on gas and liquid applications
- Oil and gas
- Chemical and Petrochemical
- Power generation
- Water & wastewater
- Other process applications

For vent type valves, multi-port valves and manifolds, please speak to our sales team.

Product specifications:

Valve orientation	Straight or 90° angle
Process/instrument connection	Male x Female, Female x Female, Male x Male
Connection size/type	1/4", 3/8", 1/2" BSP/BSPT/NPT
Max pressure	400 bar (for max pressure up to 700 bar please contact our sales team)
Max temperature	100°C
Body material	Choice between: Carbon Steel, SS 304, SS 316, SS 316L, Monel, Hastelloy C
Valve material	
Bonnet material	
Stem material	
Tip material	
Stem / gland packing	PTFE or graphite
Stem	Delrin soft needle tip rolled into the needle
Stem packing area	Burnished finish for smooth valve operation
Safety feature	Back seating to prevent stem blowout

Product data sheet

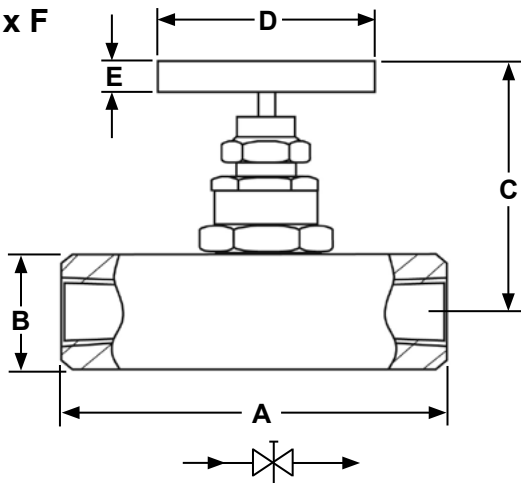
✉ sales@brannan.co.uk

☎ +44 (0)1946 816600

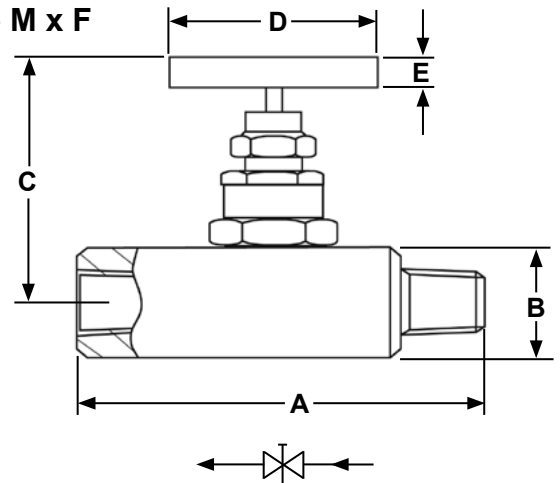
🌐 brannan.co.uk

Straight needle valve product dimensions:

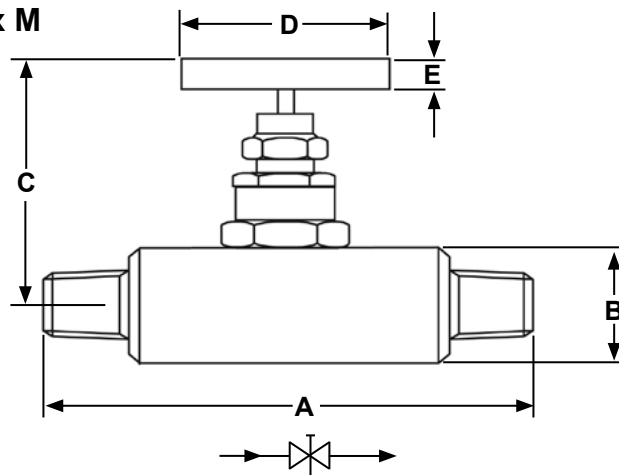
Type F x F



Type M x F



Type M x M



Size	Type	Length A	Width B	Height (open) Max, C	Handle D	Handle OD E
1/4"	F x F	55	25	63.5	40	10
	M x F	65	25	63.5	40	10
	M x M	60	25	63.5	40	10
3/8"	F x F	55	25	63.5	40	10
	M x F	65	25	63.5	40	10
	M x M	65	25	63.5	40	10
1/2"	F x F	55	32	93.5	50	12
	M x F	75	32	93.5	50	12
	M x M	70	32	93.5	50	12

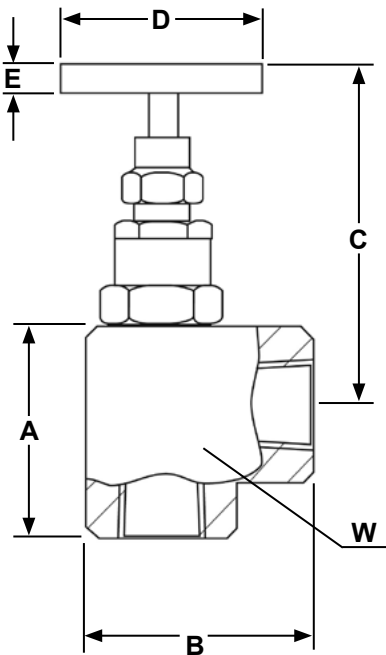
All dimensions in mm

Measurement for life.

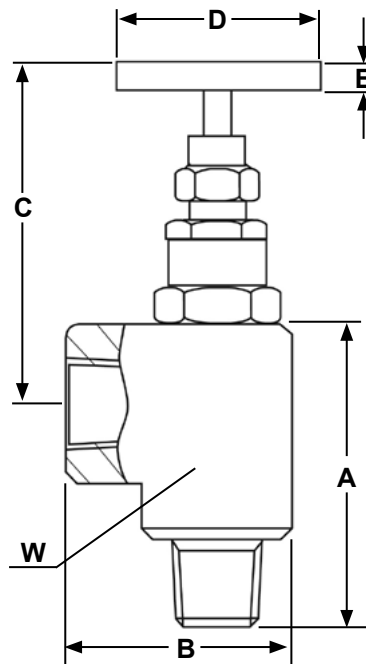


Product data sheet

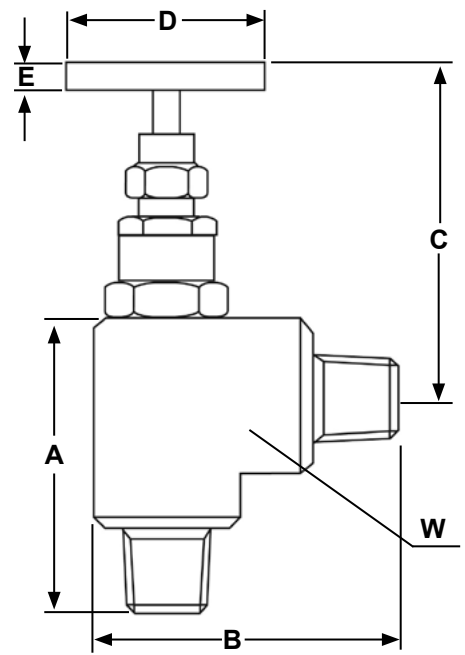
90° angle needle valve product dimensions:



Type F x F



Type M x F




Type M x M


Size	Type	Body dimensions			Height (open)	Handle	Handle OD
		A	B	W	C	D	E
1/4"	F x F	32	32	28	63	40	10
	M x F	48	32	28	63	40	10
	M x M	48	48	28	63	40	10
3/8"	F x F	32	32	28	63	40	10
	M x F	48	32	28	63	40	10
	M x M	48	48	28	63	40	10
1/2"	F x F	50	50	32	95.5	50	12
	M x F	70	50	32	95.5	50	12
	M x M	70	70	32	95.5	50	12

All dimensions in mm

Product data sheet

 sales@brannan.co.uk

 +44 (0)1946 816600

 brannan.co.uk

Product numbers:

All ANV040 needle valves are ordered to specific customer specifications. Please use below matrix to create your unique ordering product reference, using the values in bold.

Make	Model	Orientation	Wetted material	Stem packing	Process/instruments connection	Connection size & type	Extras
Brannan (BRN)	ANV040 (ANV40)	Straight (STR)	Carbon steel (CAR)	PTFE (P)	Female to Female (FF)	1/4" x 1/4" BSP (3)	Compliance to NACE MR-0175 (NACE) Materials test certificate (MTC) For oxygen service (O)
			SS304 (304)	Graphite (G)	Male to Male (MM)	1/4" x 1/4" NPT (4)	
					Male to Female (MF)	1/4" x 1/4" BSPT (10)	
						3/8" x 3/8" BSP (5)	
						3/8" x 3/8" NPT (6)	
					Hastelloy C (HAS)	Socket weld available on request	
		1/2" x 1/2" BSP (7)					
		90° angle (ANG)	Monel (MON)	Socket weld available on request	1/2" x 1/2" NPT (8)		
					1/2" x 1/2" BSPT (12)		

Order example:

Make	Model	Orientation	Wetted material	Stem packing	Process/instruments connection	Connection size & type	Extras
BRN	ANV40	STR	316	P	MF	8	NACE,MTC

Product reference: BRNANV40/STR/316/6/MF/8/NACE,MTC