


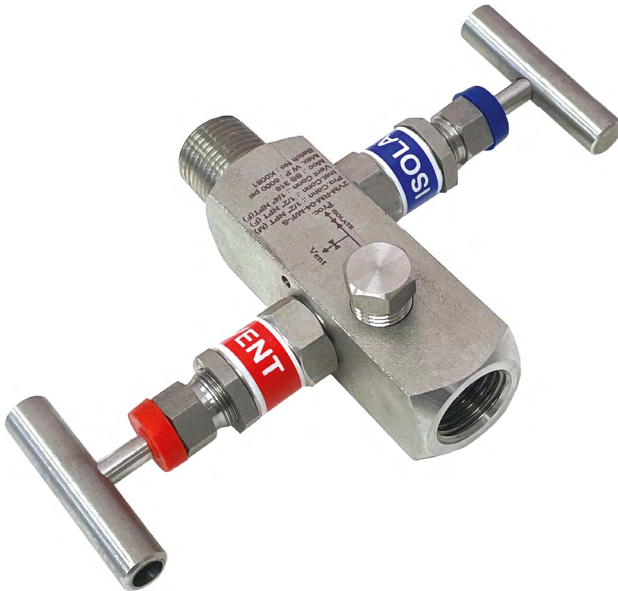
# Product data sheet

 [sales@brannan.co.uk](mailto:sales@brannan.co.uk)

 +44 (0)1946 816600

 [brannan.co.uk](http://brannan.co.uk)

## AVM020 - 2 VALVE MANIFOLD



### Product features:

- Block and bleed 2 valve manifold
- Conical metal tip
- Provides complete shut off or adjustable throttling of the pressure media.
- 1/4" NPT drain port
- Stainless steel 316, 316L, Monel or Hastelloy C materials available
- A choice of male, female and socket weld connections
- NACE compliant optional
- **Brannan** quality

### Product applications:

- Instrument isolation and venting
- For use on gas and liquid applications
- Oil and gas
- Chemical and Petrochemical
- Power generation
- Water & wastewater
- Other process applications

### Product specifications:

<b>Valve orientation</b>	Straight for direct mounting (for other valve configurations please contact our sales team)
<b>Process/Instrument connection</b>	1/2" NPT M x 1/2" NPT F as standard (other variations available on request)
<b>Max pressure</b>	400 bar (for max pressure up to 700 bar please contact our sales team)
<b>Max temperature</b>	240°C
<b>Body material</b> <b>Valve material</b> <b>Bonnet material</b> <b>Stem material</b> <b>Tip material</b>	Choice between: Carbon steel, SS 304, SS 316, SS 316L, Monel, Hastelloy C
<b>Stem / gland packing</b>	PTFE or graphite
<b>Stem</b>	Type CT: Conical metal tip
<b>Drain port</b>	1/4" NPT F
<b>Safety feature</b>	Back seating to prevent stem blowout

### Product variations:

Please contact us for our full range of 2-valve, 3-valve and 5-valve manifolds, available in a wide range of configurations and mounting options.

# Product data sheet

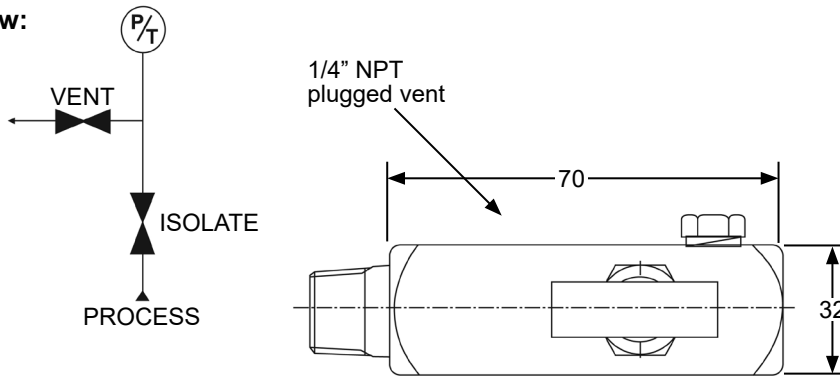
✉ [sales@brannan.co.uk](mailto:sales@brannan.co.uk)

☎ +44 (0)1946 816600

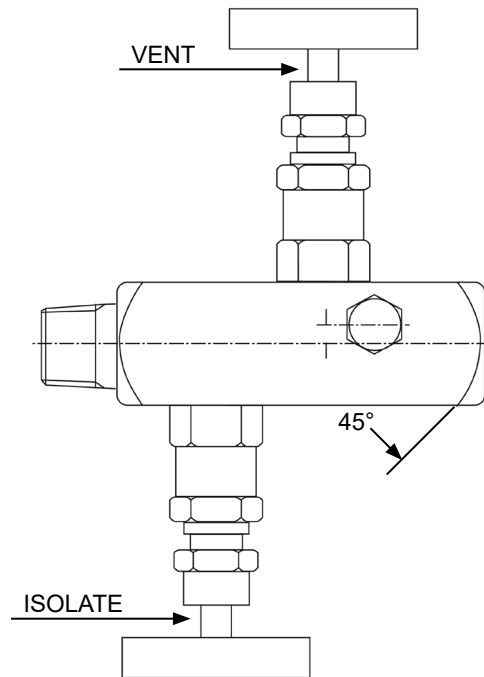
🌐 [brannan.co.uk](http://brannan.co.uk)

## Product dimensions:

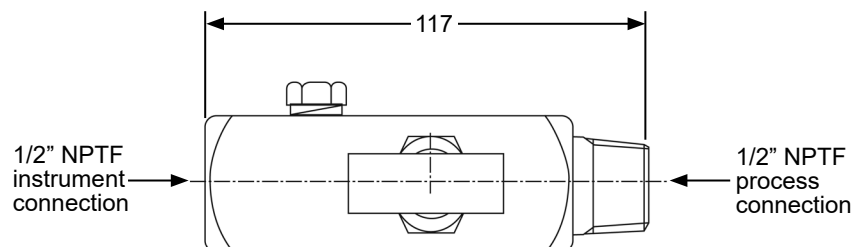
Front view:



Front view:




Back view:



All dimensions in mm

# Product data sheet

 [sales@brannan.co.uk](mailto:sales@brannan.co.uk)

 +44 (0)1946 816600

 [brannan.co.uk](http://brannan.co.uk)

## Product numbers:

All AVM020 valve manifolds are ordered to specific customer specifications. Please use below matrix to create your unique ordering product reference, using the values in bold.

For our full range of 2-valve (AVM020), 3-valve (AVM030) or 5-valve (AVM050) manifolds, please contact our sales team.

Make	Model	Wetted material	Stem packing	Process/instruments connection	Connection size & type	Extras	
Brannan (BRN)	AVM020 (AVM02)	Carbon steel (CAR)	PTFE (P)	Male to Female (MF)	1/2" x 1/2" NPT (8)	Compliance to NACE MR-0175 (NACE)	
		SS304 (304)	Graphite (G)				Materials test certificate (MTC)
		SS316 (316)	*Others available on request				
		SS316L (316L)					
		Monel (MON)					
Hastelloy C (HAS)				*Others available on request	For oxygen service (O)		

## Order example:

Make	Model	Wetted material	Stem packing	Process/instruments connection	Connection size & type	Extras
BRN	AVM02	316	P	MF	8	NACE,MTC

**Product reference:** BRNAVM02/316/6/MF/8/NACE,MTC