

Product data sheet

✉ sales@brannan.co.uk

☎ +44 (0)1946 816600

🌐 brannan.co.uk

AVM020 - 2 VALVE MANIFOLD



Product features:

- Block and bleed 2 valve manifold
- Conical metal tip
- Provides complete shut off or adjustable throttling of the pressure media.
- 1/4" NPT drain port
- Stainless steel 316, 316L, Monel or Hastelloy C materials available
- A choice of male, female and socket weld connections
- NACE compliant optional
- **Brannan** quality

Product applications:

- Instrument isolation and venting
- For use on gas and liquid applications
- Oil and gas
- Chemical and Petrochemical
- Power generation
- Water & wastewater
- Other process applications

Product specifications:

Valve orientation	Straight for direct mounting (for other valve configurations please contact our sales team)
Process/Instrument connection	1/2" NPT M x 1/2" NPT F as standard (other variations available on request)
Max pressure	400 bar (for max pressure up to 700 bar please contact our sales team)
Max temperature	240°C
Body material Valve material Bonnet material Stem material Tip material	Choice between: Carbon steel, SS 304, SS 316, SS 316L, Monel, Hastelloy C
Stem / gland packing	PTFE or graphite
Stem	Type CT: Conical metal tip
Drain port	1/4" NPT F
Safety feature	Back seating to prevent stem blowout

Product variations:

Please contact us for our full range of 2-valve, 3-valve and 5-valve manifolds, available in a wide range of configurations and mounting options.

Product data sheet

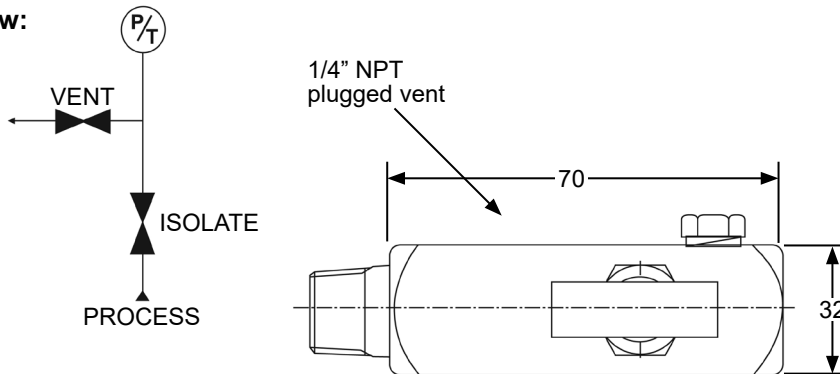
✉ sales@brannan.co.uk

☎ +44 (0)1946 816600

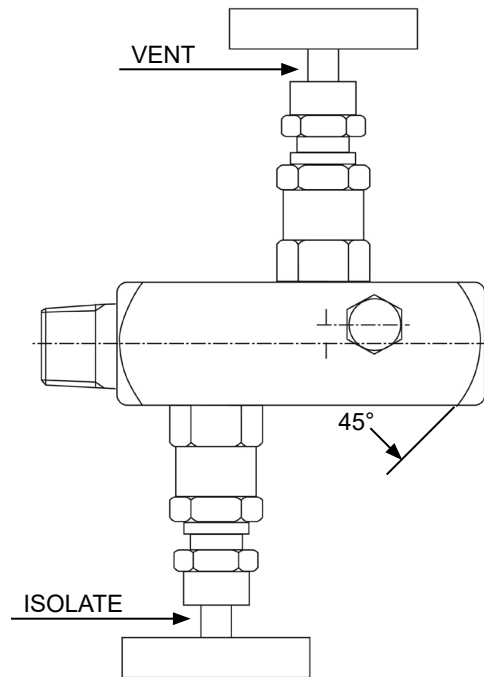
🌐 brannan.co.uk

Product dimensions:

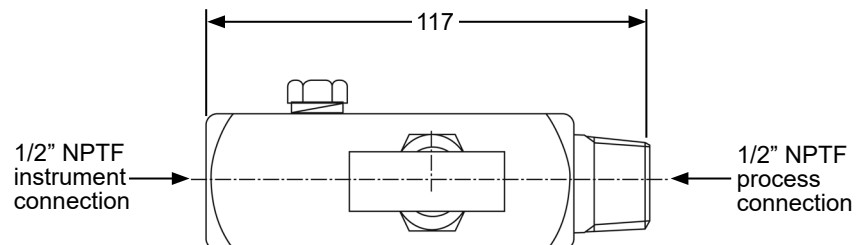
Front view:



Front view:




Back view:



All dimensions in mm

Product data sheet

 sales@brannan.co.uk

 +44 (0)1946 816600

 brannan.co.uk

Product numbers:

All AVM020 valve manifolds are ordered to specific customer specifications. Please use below matrix to create your unique ordering product reference, using the values in bold.

For our full range of 2-valve (AVM020), 3-valve (AVM030) or 5-valve (AVM050) manifolds, please contact our sales team.

Make	Model	Wetted material	Stem packing	Process/instruments connection	Connection size & type	Extras			
Brannan (BRN)	AVM020 (AVM02)	Carbon steel (CAR)	PTFE (P)	Male to Female (MF)	1/2" x 1/2" NPT (8)	Compliance to NACE MR-0175 (NACE)			
		SS304 (304)	Graphite (G)				Materials test certificate (MTC)		
		SS316 (316)						For oxygen service (O)	
		SS316L (316L)							NB. When more than one extra is required, separate each code with a hyphen when building your product reference.
		Monel (MON)							
Hastelloy C (HAS)									
	*Others available on request	*Others available on request							

Order example:

Make	Model	Wetted material	Stem packing	Process/instruments connection	Connection size & type	Extras
BRN	AVM02	316	P	MF	8	NACE-MTC

Product reference: BRNAVM02/316/6/MF/8/NACE-MTC