

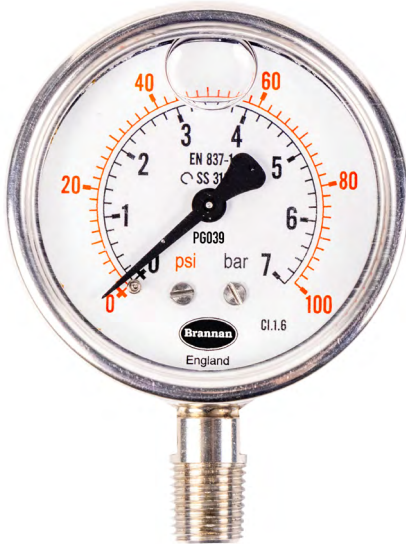
# Product data sheet

✉ [sales@brannan.co.uk](mailto:sales@brannan.co.uk)

☎ +44 (0)1946 816600

🌐 [brannan.co.uk](http://brannan.co.uk)

## PG039 - FULLY STAINLESS STEEL PRESSURE GAUGE - CRIMPED BEZEL CASE



### Product features:

- Fully stainless-steel pressure gauge
- Crimp type case/bezel
- Silicone, glycerine or halocarbon filling available
- Ingress protection IP 65
- Connection and case welded
- Wide choice of pressure ranges
- For harsh and corrosive environments and pressure media
- **Brannan** quality and accuracy

### Applications:

- Process industry
- HVAC
- Hydraulics

### Standard product specifications:

<b>Dial diameters</b>	63mm & 100mm
<b>Design</b>	EN 837-1
<b>Accuracy class</b>	63mm: 1.6%, 100mm: 1%
<b>Ranges</b>	0 to 1000 bar
<b>Case</b>	Stainless steel 304
<b>Bezel</b>	Stainless steel 304 crimp type
<b>Process Connection</b>	1/8", 1/4", 3/8", 1/2" BSP/NPT
<b>Connection orientation</b>	Bottom, lower back, centre back (63mm only)
<b>Connection material</b>	Stainless steel 316 welded to case (optional Stainless steel 316L)
<b>Measuring principle</b>	Bourdon tube stainless steel 316 (optional stainless steel 316L)
<b>Movement</b>	Stainless steel 304
<b>Window</b>	Acrylic glass
<b>Pointer</b>	Black plastic (63mm), black aluminium (100mm)
<b>Operating temperature</b>	Ambient: -40 to +60°C (dry, silicone filled or halocarbon filled), -7 to +60°C (glycerine filled) Medium: -40 to +200°C (dry), -10 to +100°C (silicone filled or halocarbon filled), -7 to +60°C (glycerine filled)
<b>Storage Temperature</b>	-40 to +60°C
<b>Temperature effect</b>	When temperature of the pressure element deviates from reference temperature of 20°C the maximum additional error is +/-0.4 per 10°C of the span rising and falling
<b>Ingress protection</b>	IP 65

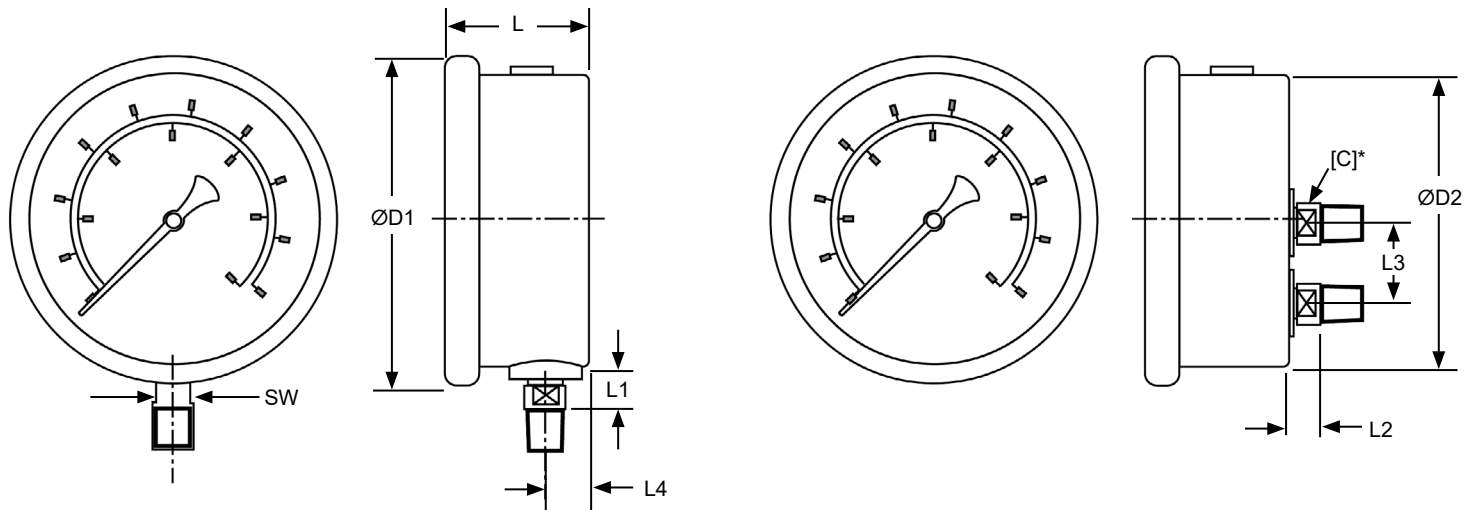
# Product data sheet

✉ [sales@brannan.co.uk](mailto:sales@brannan.co.uk)

☎ +44 (0)1946 816600

🌐 [brannan.co.uk](http://brannan.co.uk)


## Dimensions (in mm):



SIZE	63mm	100mm
$\varnothing D1$	67.7	108
$\varnothing D2$	61.5	98.5
L	32.5	47.5
L1	13	16
L2	13	18
L3	-	27
L4	10.8	14.8
SW	11	17

# Product data sheet

 [sales@brannan.co.uk](mailto:sales@brannan.co.uk)

 +44 (0)1946 816600

 [brannan.co.uk](http://brannan.co.uk)

## Product numbers:

All PG039 pressure gauges are ordered to specific customer specifications. Please use the below matrix to create your unique product reference, using the values in bold.

Make	Model	Dial diameter	Ranges	Units	Connection size	Connection orientation	Filling	Extras
Brannan <b>(BRN)</b>	PG039 <b>(PG39)</b>	63mm <b>(63)</b>	-1 to 24 bar <b>(-1+24)</b>	Bar only (black) <b>(B)</b>	1/8" BSP <b>(1)</b>	Bottom <b>(BO)</b>	Dry - no filling <b>(D)</b>	Front flange <b>(FF)</b>
		100mm <b>(100)</b>	-30 to 350 Hg/Psi <b>(-30+350)</b>	Psi only (black) <b>(P)</b>	1/8" NPT <b>(2)</b>	Centre back <b>(CB)</b>	Glycerine <b>(G)</b>	Back flange <b>(BF)</b>
				Bar outer (black) / psi inner (red) <b>(BP)</b>	1/4" BSP <b>(3)</b>			
					1/4" NPT <b>(4)</b>			
					3/8" BSP <b>(5)</b>			
0 to 1000 bar <b>(0+1000)</b>	through to	Bar outer (black) / psi inner (red) <b>(BP)</b>	3/8" NPT <b>(6)</b>	Lower back <b>(LB)</b>	Silicone <b>(S)</b>	U clamp <b>(UCL)</b>		
			1/2" BSP <b>(7)</b>					
			1/2" NPT <b>(8)</b>					
0 to 15000 Psi <b>(0+15000)</b>		Psi outer (red) / bar inner (black) <b>(PB)</b>	1/8" BSPT <b>(9)</b>	Halocarbon <b>(H)</b>	316L wetted parts <b>(316L)</b>			
			1/4" BSPT <b>(10)</b>					
			3/8" BSPT <b>(11)</b>					
		kPa outer (black) / Psi inner (red) <b>(KP)</b>	1/2" BSPT <b>(12)</b>		Materials test certificate <b>(MTC)</b>			
		Psi outer (red) / kPa inner (black) <b>(PK)</b>						
				NB. Others available on request	*1/8" 63mm only *3/8" & 1/2" 100mm only	*CB 63mm only		NB. When more than one extra is required, please separate each code with a hyphen when building your product reference

## Order example:

Make	Model	Dial diameter	Ranges	Units	Connection size	Connection orientation	Filling	Extras
<b>BRN</b>	<b>PG39</b>	<b>100</b>	<b>0+60</b>	<b>B</b>	<b>7</b>	<b>BO</b>	<b>G</b>	<b>BF</b>

Product reference: BRNPG39/100/0+60/B/7/BO/G/BF

## Calibration product numbers:

Other calibration types available on request

Calibration	No of points	Product number
UKAS	5pt	49/075/0
Traceable to National Standards	5pt	49/060/0