

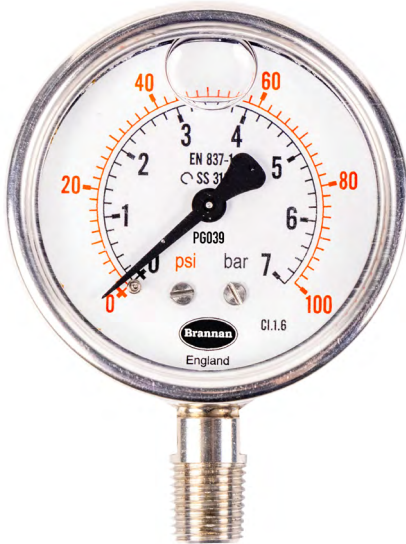
Product data sheet

✉ sales@brannan.co.uk

☎ +44 (0)1946 816600

🌐 brannan.co.uk

PG039 - FULLY STAINLESS STEEL PRESSURE GAUGE - CRIMPED BEZEL CASE



Product features:

- Fully stainless-steel pressure gauge
- Crimp type case/bezel
- Silicone, glycerine or halocarbon filling available
- Ingress protection IP 65
- Connection and case welded
- Wide choice of pressure ranges
- For harsh and corrosive environments and pressure media
- **Brannan** quality and accuracy

Applications:

- Process industry
- HVAC
- Hydraulics

Standard product specifications:

Dial diameters	63mm & 100mm
Design	EN 837-1
Accuracy class	63mm: 1.6%, 100mm: 1%
Ranges	0 to 1000 bar
Case	Stainless steel 304
Bezel	Stainless steel 304 crimp type
Process Connection	1/8", 1/4", 3/8", 1/2" BSP/NPT
Connection orientation	Bottom, lower back, centre back (63mm only)
Connection material	Stainless steel 316 welded to case (optional Stainless steel 316L)
Measuring principle	Bourdon tube stainless steel 316 (optional stainless steel 316L)
Movement	Stainless steel 304
Window	Acrylic glass
Pointer	Black plastic (63mm), black aluminium (100mm)
Operating temperature	Ambient: -40 to +60°C (dry, silicone filled or halocarbon filled), -7 to +60°C (glycerine filled) Medium: -40 to +200°C (dry), -10 to +100°C (silicone filled or halocarbon filled), -7 to +60°C (glycerine filled)
Storage Temperature	-40 to +60°C
Temperature effect	When temperature of the pressure element deviates from reference temperature of 20°C the maximum additional error is +/-0.4 per 10°C of the span rising and falling
Ingress protection	IP 65

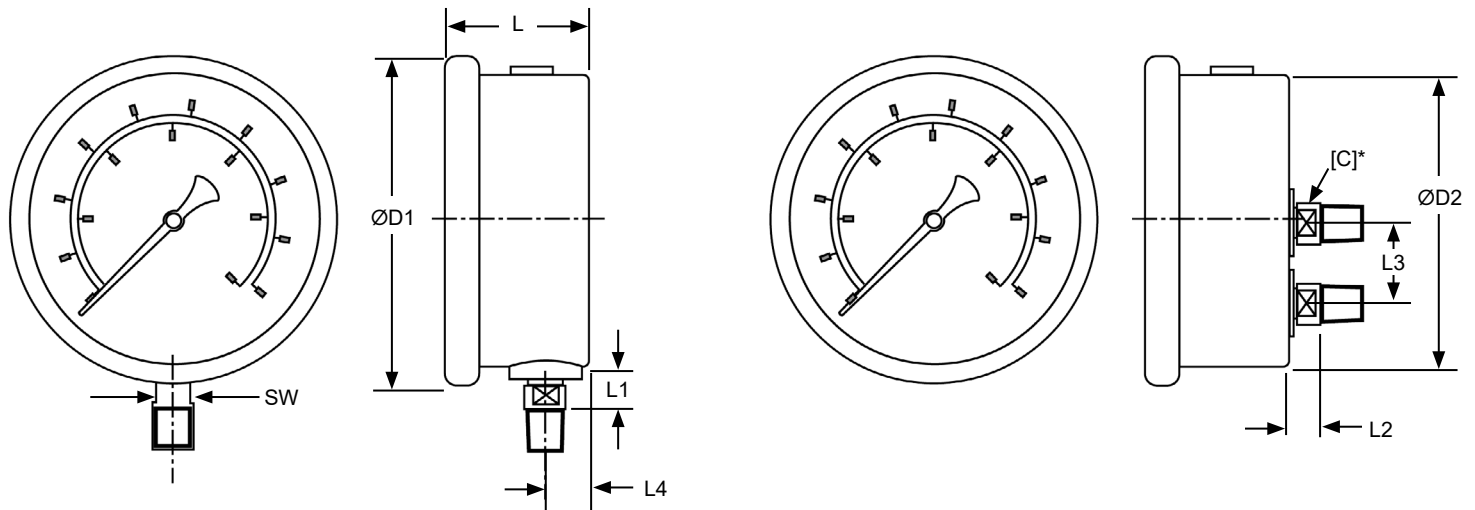
Product data sheet

✉ sales@brannan.co.uk

☎ +44 (0)1946 816600

🌐 brannan.co.uk


Dimensions (in mm):



SIZE	63mm	100mm
$\varnothing D1$	67.7	108
$\varnothing D2$	61.5	98.5
L	32.5	47.5
L1	13	16
L2	13	18
L3	-	27
L4	10.8	14.8
SW	11	17

Product data sheet

 sales@brannan.co.uk

 +44 (0)1946 816600

 brannan.co.uk

Product numbers:

All PG039 pressure gauges are ordered to specific customer specifications. Please use the below matrix to create your unique product reference, using the values in bold.

Make	Model	Dial diameter	Ranges	Units	Connection size	Connection orientation	Filling	Extras		
Brannan (BRN)	PG039 (PG39)	63mm (63)	-1 to 24 bar (-1+24)	Bar only (black) (B)	1/8" BSP (1)	Bottom (BO)	Dry - no filling (D)	Front flange (FF)		
				Psi only (black) (P)	1/8" NPT (2)	Centre back (CB)				
				Bar outer (black) / psi inner (red) (BP)	1/4" BSP (3)				Lower back (LB)	
					1/4" NPT (4)					
					3/8" BSP (5)					
					3/8" NPT (6)					
		100mm (100)	-30 to 350 Hg/Psi (-30+350)	through to 0 to 1000 bar (0+1000) 0 to 15000 Psi (0+15000)	Psi outer (red) / bar inner (black) (PB)		1/2" BSP (7)	Glycerine (G)	Silicone (S)	Back flange (BF)
					kPa outer (black) / Psi inner (red) (KP)	1/2" NPT (8)	U clamp (UCL)			
						1/8" BSPT (9)				
						1/4" BSPT (10)				
						3/8" BSPT (11)				
					Psi outer (red) / kPa inner (black) (PK)	1/2" BSPT (12)	316L wetted parts (316L)			
	Materials test certificate (MTC)									
NB. Others available on request				*1/8" 63mm only *3/8" & 1/2" 100mm only	*CB 63mm only	NB. When more than one extra is required, please separate each code with a comma when building your product reference				

Order example:

Make	Model	Dial diameter	Ranges	Units	Connection size	Connection orientation	Filling	Extras
BRN	PG39	100	0+60	B	7	BO	G	BF

Product reference: BRNPG39/100/0+60/B/7/BO/G/BF

Calibration product numbers:

Other calibration types available on request

Calibration	No of points	Product number
UKAS	5pt	49/075/0
Traceable to National Standards	5pt	49/060/0