


Product data sheet

 sales@brannan.co.uk

 +44 (0)1946 816600

 brannan.co.uk

DS005 - DIAPHRAGM SEAL - HIGH PRESSURE



Product features:

- Fully welded design
- Compact
- Stainless steel construction (other materials also available)
- **Brannan** quality

Applications:

- Oil & gas
- Process industry
- Chemical/petrochemical

Standard product specifications:

Type	Fully welded
Mounting	Direct mounting
Accuracy	+/- 0.5% plus accuracy of mounted instrument
Housing material	SS 316, SS 316L, Hastelloy-C
Diaphragm material	SS 316L, Hastelloy-C
Instrument connection	3/8", 1/2" BSP/NPT
Process connection	3/8", 1/2" BSP/NPT
Pressure Range	100 bar to 400 bar
Filling Fluid	Glycerine (-18 to 204°C) Silicone (-40 to 305°C) Halocarbon (-56 to 149°C) Syltherm 800 (-40 to 400°C)
Flushing connection	1/4" NPT F (optional)

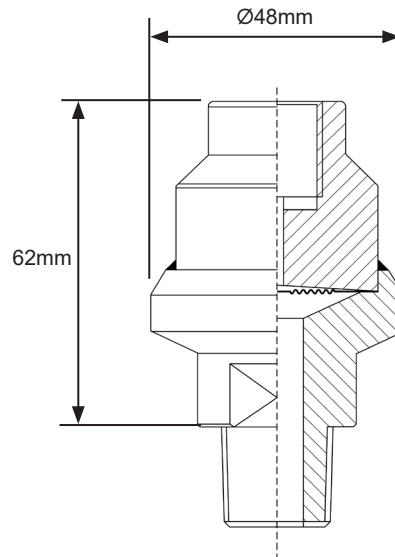
Product data sheet

✉ sales@brannan.co.uk

☎ +44 (0)1946 816600

🌐 brannan.co.uk

Product dimensions:



Product numbers:

All DS005 diaphragm seals are ordered to specific customer specifications. Please use the below matrix to create your unique product reference, using the values in bold.

Make	Model	Diaphragm material	Housing material	Process connection	Instrument connection	Filling Fluid	Extras
Brannan (BRN)	DS005 (DS005)	SS 316L (316L)	SS 316 (316)	3/8" BSP (M) (5)	3/8" BSP (5)	Glycerine (-18 to 204°C) (G)	Materials Test Certificate (MTC)
		Hastelloy-C (HAS)	SS 316L (316L)	3/8" NPT (M) (6)	3/8" NPT (6)	Silicone (-40 to 305°C) (S)	1/4" NPT F Flushing Connection (FC4)
			Hastelloy-C (HAS)	1/2" BSP (M) (7)	1/2" BSP (7)	Halocarbon (-56 to 149°C) (H)	
				1/2" NPT (M) (8)	1/2" NPT (8)	Syltherm 800 (-40 to 400°C) (SY800)	

Order example:

Make	Model	Diaphragm material	Housing material	Process connection	Instrument connection	Filling Fluid	Extras
BRN	DS05	316L	316	8	8	G	FC4

Product reference: BRNDS05/316L/316/8/8/G/FC4