

# Product data sheet

✉ [sales@brannan.co.uk](mailto:sales@brannan.co.uk)

☎ +44 (0)1946 816600

🌐 [brannan.co.uk](http://brannan.co.uk)

## DS005 - DIAPHRAGM SEAL - HIGH PRESSURE



### Product features:

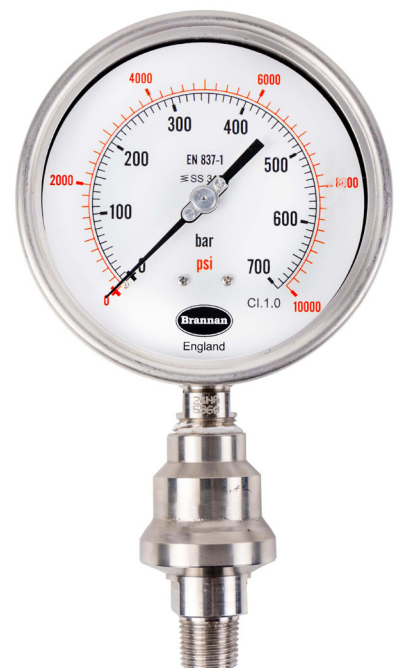
- Fully welded design
- Compact
- Stainless steel construction (other materials also available)
- **Brannan** quality

### Applications:

- Oil and gas
- Process industry
- Chemical and petrochemical

### Standard product specifications:

<b>Type</b>	Fully welded
<b>Mounting</b>	Direct mounting
<b>Accuracy</b>	+/- 0.5% plus accuracy of mounted instrument
<b>Housing material</b>	SS 316, SS 316L, Hastelloy-C
<b>Diaphragm material</b>	SS 316L, Hastelloy-C
<b>Instrument connection</b>	3/8", 1/2" BSP/NPT
<b>Process connection</b>	3/8", 1/2" BSP/NPT
<b>Pressure range</b>	100 bar to 400 bar (optional up to 700 bar)
<b>Filling fluid</b>	Glycerine (-18 to 204°C) Silicone (-40 to 305°C) Halocarbon (-56 to 149°C) Syltherm 800 (-40 to 400°C)
<b>Flushing connection</b>	1/4" NPT F (optional)



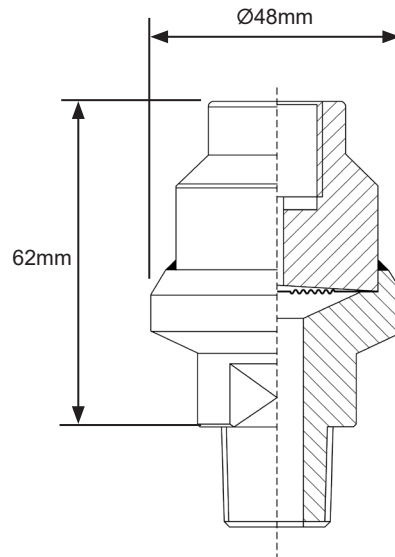
# Product data sheet

✉ [sales@brannan.co.uk](mailto:sales@brannan.co.uk)

☎ +44 (0)1946 816600

🌐 [brannan.co.uk](http://brannan.co.uk)

## Product dimensions:



## Product numbers:

All DS005 diaphragm seals are ordered to specific customer specifications. Please use the below matrix to create your unique product reference, using the values in bold.

Make	Model	Diaphragm material	Housing material	Process connection	Instrument connection	Filling Fluid	Extras
Brannan (BRN)	DS005 (DS005)	SS 316L (316L)	SS 316 (316)	3/8" BSP (M) (5)	3/8" BSP (5)	Glycerine (-18 to 204°C) (G)	Materials Test Certificate (MTC)
		Hastelloy-C (HAS)	SS 316L (316L)	3/8" NPT (M) (6)	3/8" NPT (6)	Silicone (-40 to 305°C) (S)	1/4" NPT F Flushing Connection (FC4)
			Hastelloy-C (HAS)	1/2" BSP (M) (7)	1/2" BSP (7)	Halocarbon (-56 to 149°C) (H)	
				1/2" NPT (M) (8)	1/2" NPT (8)	Syltherm 800 (-40 to 400°C) (SY800)	

## Order example:

Make	Model	Diaphragm material	Housing material	Process connection	Instrument connection	Filling Fluid	Extras
BRN	DS05	316L	316	8	8	G	FC4

Product reference: BRNDS05/316L/316/8/8/G/FC4