

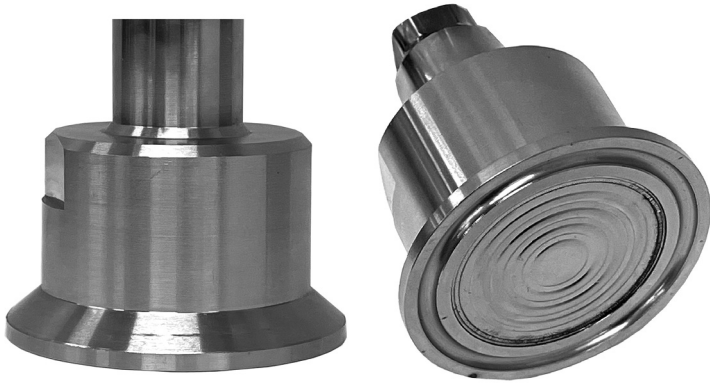
# Product data sheet

✉ [sales@brannan.co.uk](mailto:sales@brannan.co.uk)

☎ +44 (0)1946 816600

🌐 [brannan.co.uk](http://brannan.co.uk)

## DS004 - DIAPHRAGM SEAL - SANITARY TYPE



### Product features:

- Easy to clean
- Can be removed from the process quickly
- Flush welded diaphragm seal that prevents clogging
- Prevents process media from entering the internals of the instruments and becoming contaminated
- Designed to enable fast, residue-free, cleaning
- 1 ½" or 2" designs
- Can be supplied with or without tri-clamp and gasket
- **Brannan** quality

### Applications:

- Dairy
- Pharmaceutical
- Food and beverage

### Standard product specifications:

<b>Type</b>	Sanitary seal with welded diaphragm
<b>Mounting</b>	Direct mounting
<b>Diaphragm material</b>	Stainless steel 316L
<b>Housing material</b>	Stainless steel 316
<b>Process connection</b>	1½" (40mm) sanitary seal 2" (50mm) sanitary seal 2½" (63mm) sanitary seal
<b>Instrument connection</b>	1/4", 3/8" or 1/2" BSP/NPT female
<b>Max pressure</b>	40 bar
<b>Process temperature</b>	-20 to +140°C
<b>Filling fluid</b>	Food grade oil (others available on request)
<b>Fill port</b>	M6



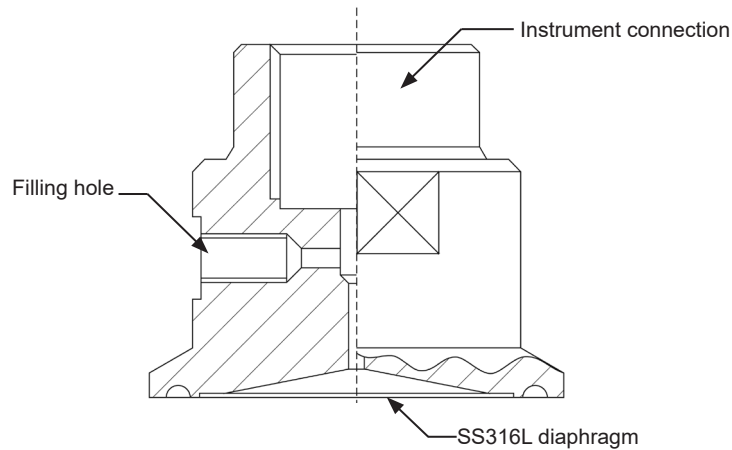
# Product data sheet

✉ [sales@brannan.co.uk](mailto:sales@brannan.co.uk)

☎ +44 (0)1946 816600

🌐 [brannan.co.uk](http://brannan.co.uk)

## Product dimensions:



## Product numbers:

All DS004 diaphragm seals are ordered to specific customer specifications. Please use below matrix to create your unique product reference, using the values in bold.

Make	Model	Instrument connection	Size	Extras
Brannan (BRN)	DS004 (DS004)	1/4" BSP (3)	1½" (1.5)	Clamp (CLA)
		1/4" NPT (4)	2" (2)	
		3/8" BSP (5)	2½" (2.5)	Gasket (GAS)
		3/8" NPT (6)		
		1/2" BSP (7)		
		1/2" NPT (8)		

## Order example:

Make	Model	Instrument connection	Size	Extras
BRN	DS004	3	1.5	CLA,GAS

Product reference: BRNDS004/3/1.5/CLA,GAS