

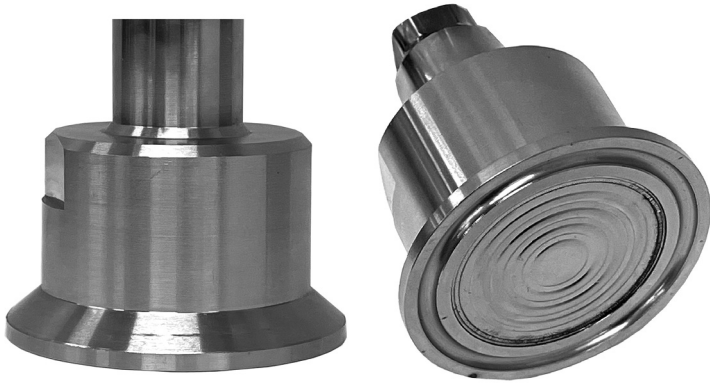
Product data sheet

✉ sales@brannan.co.uk

☎ +44 (0)1946 816600

🌐 brannan.co.uk

DS004 - DIAPHRAGM SEAL - SANITARY TYPE



Product features:

- Easy to clean
- Can be removed from the process quickly
- Flush welded diaphragm seal that prevents clogging
- Prevents process media from entering the internals of the instruments and becoming contaminated
- 1 ½" or 2" designs
- Can be supplied with or without tri-clamp and gasket
- Easy to disassemble and switch to another process medium
- **Brannan** quality

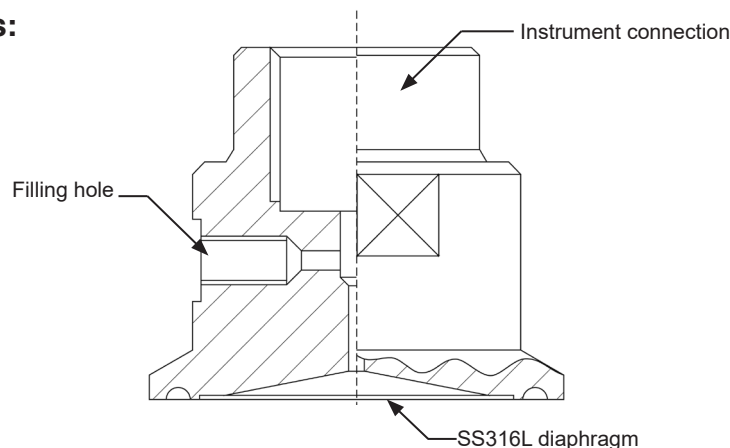
Applications:

- Dairy
- Pharmaceutical
- Food and beverage

Standard product specifications:


Type	Sanitary seal with welded diaphragm
Mounting	Direct mounting
Diaphragm material	Stainless steel 316L
Housing material	Stainless steel 316
Process connection	1½" (40mm) sanitary seal 2" (50mm) sanitary seal 2½" (63mm) sanitary seal
Instrument connection	¼", 1/4", 3/8" or 1/2" BSP/NPT female
Max pressure	40 bar
Process temperature	-20 to +140°C
Filling fluid	Food grade oil (others available on request)
Fill port	M6

Product dimensions:



Product data sheet

 sales@brannan.co.uk

 [+44 \(0\)1946 816600](tel:+44(0)1946816600)

 brannan.co.uk

Product numbers:

All DS004 diaphragm seals are ordered to specific customer specifications. Please use below matrix to create your unique product reference, using the values in bold.

Make	Model	Instrument connection	Size	Extras
Brannan (BRN)	DS004 (DS004)	1/4" BSP (3)	1½" (1.5)	Clamp (CLA)
		1/4" NPT (4)	2" (2)	
		3/8" BSP (5)	2½" (2.5)	Gasket (GAS)
		3/8" NPT (6)		
		1/2" BSP (7)		
		1/2" NPT (8)		

Order example:

Make	Model	Instrument connection	Size	Extras
BRN	DS004	3	1.5	CLA,GAS

Product reference: BRNDS004/3/1.5/CLA,GAS