

# Product data sheet

✉ [sales@brannan.co.uk](mailto:sales@brannan.co.uk)

☎ +44 (0)1946 816600

🌐 [brannan.co.uk](http://brannan.co.uk)

## DS003 - DIAPHRAGM SEAL - 2PC INDUSTRIAL TYPE



### Product features:

- Protects gauge from corrosion
- 2-piece construction
- Metal diaphragm with Teflon gasket
- Removable top and bottom housing
- Various fill fluids available
- A choice of diaphragm materials to allow suitability with a wide range of processes
- Flushing connection optional
- **Brannan** quality

### Applications:

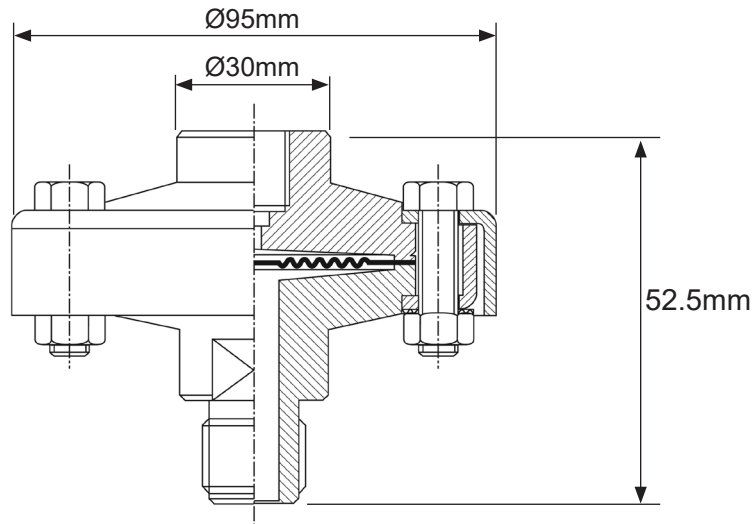
- Oil and gas
- Process Industry
- Chemical/Petrochemical

### Standard product specifications:

<b>Type</b>	2-piece construction – bottled upper and lower housing Diaphragm welded to upper housing
<b>Mounting</b>	Direct mounting (please contact us for remote mounting options)
<b>Diaphragm material</b>	Stainless steel 316L, Hastelloy C, Monel
<b>Lower housing material</b>	Stainless steel 316, stainless steel 316L, Hastelloy-C, PVC, polypropylene
<b>Upper housing material</b>	Stainless steel 304, stainless steel 316
<b>Clamp rings</b>	Black steel or stainless steel 304
<b>Instrument connection material</b>	Stainless steel 304
<b>Instrument connection</b>	3/8", 1/2" BSP/NPT Female
<b>Process connection</b>	1/2" BSP/NPT Male or female
<b>Max pressure</b>	100 bar (metal bottom housing) 10 bar (other bottom housing)
<b>Process temperature</b>	Dependent on fill fluid, see below for details
<b>Filling fluid</b>	Glycerine (-18 to 204°C) Silicone (-40 to 305°C) Halocarbon (-56 to 149°C) Syltherm 800 (-40 to 400°C)
<b>Fill port</b>	On the side – set screw
<b>Flushing connection</b>	Optional (1/4" & 1/2" BSP/NPT)

# Product data sheet

## Product dimensions:



## Product numbers:

All DS003 diaphragm seals are ordered to specific customer specifications. Please use below matrix to create your unique product reference, using the values in bold.

Make	Model	Diaphragm material	Upper housing	Lower housing	Clamp ring	Process connection (M or F)	Instrument connection (F)	Filling fluid	Extras
Brannan (BRN)	DS003 (DS03)	SS 316L (316L)	SS 304 (USS304)	SS 316 (LSS316)	Black steel (BS)	1/2" BSP (M) (M7)	1/4" BSP (3)	Glycerine (-18 to 204°C) (G)	Materials test certificate (MTC)
		Monel (MON)	SS 316 (USS316)	SS 316L (LSS316L)	Stainless steel 304 (SS304)	1/2" BSP (F) (F7)	1/4" NPT (4)	Silicone (-40 to 305°C) (S)	Flushing connection 1/2" NPT (FC8)
		Hastelloy C (HAS)		Hastelloy C (LHAS)		1/2" NPT (M) (M8)	3/8" BSP (5)	Halocarbon (-56 to 149°C) (H)	Flushing connection 1/2" BSP (FC7)
		Inconel (INC)		PVC (LPVC)		1/2" NPT (F) (F8)	3/8" NPT (6)	Syltherm 800 (-40 to +400°C) (SY800)	Flushing connection 1/4" NPT (FC4)
		Tantalum (TAN)		Polypropylene (LPOL)			1/2" BSP (7)		Flushing connection 1/4" BSP (FC3)
						Others available on request		Others available on request	

NB. When more than one extra is required, separate each code with a hyphen when building your product reference.

## Order example:

Make	Model	Diaphragm material	Upper housing	Lower housing	Clamp ring	Process connection (M or F)	Instrument connection (F)	Filling fluid	Extras
BRN	DS03	316L	USS316	LSS316	SS304	F8	8	S	MTC-FC8

Product reference: BRNDS03/316L/USS316/LSS316/SS304/F8/8/S/MTC-FC8