


Product data sheet

 sales@brannan.co.uk

 +44 (0)1946 816600

 brannan.co.uk

DS003 - DIAPHRAGM SEAL - 2PC INDUSTRIAL TYPE



Product features:

- Protects gauge from corrosion
- 2-piece construction
- Metal diaphragm with Teflon gasket
- Removable top and bottom housing
- Various fill fluids available
- A choice of diaphragm materials to allow suitability with a wide range of processes
- Flushing connection optional
- **Brannan** quality

Applications:

- Oil and gas
- Process Industry
- Chemical/Petrochemical

Standard product specifications:

Type	2-piece construction – bottled upper and lower housing Diaphragm welded to upper housing
Mounting	Direct mounting (please contact us for remote mounting options)
Diaphragm material	Stainless steel 316L, Hastelloy C, Monel
Lower housing material	Stainless steel 316, stainless steel 316L, Hastelloy-C, PVC, polypropylene
Upper housing material	Stainless steel 304, stainless steel 316
Clamp rings	Black steel or stainless steel 304
Instrument connection material	Stainless steel 304
Instrument connection	3/8", 1/2" BSP/NPT Female
Process connection	1/2" BSP/NPT Male or female
Max pressure	100 bar (metal bottom housing) 10 bar (other bottom housing)
Process temperature	Dependent on fill fluid, see below for details
Filling fluid	Glycerine (-18 to 204°C) Silicone (-40 to 305°C) Halocarbon (-56 to 149°C) Syltherm 800 (-40 to 400°C)
Fill port	On the side – set screw
Flushing connection	Optional (1/4" & 1/2" BSP/NPT)

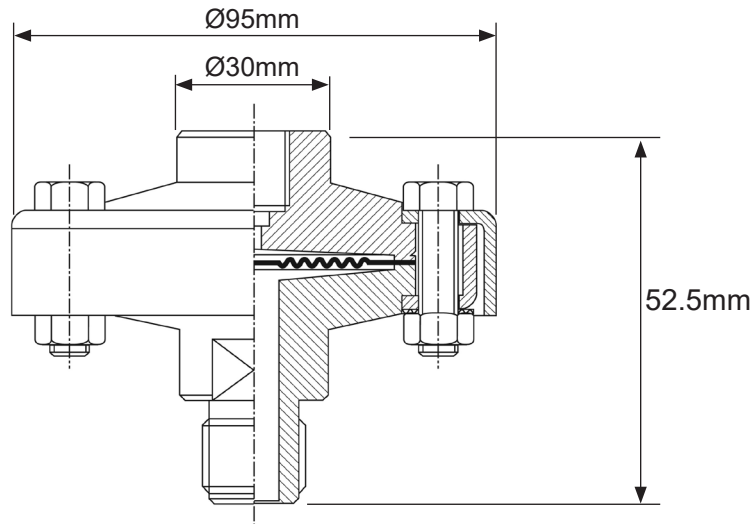
Product data sheet

✉ sales@brannan.co.uk

☎ +44 (0)1946 816600

🌐 brannan.co.uk

Product dimensions:



Product numbers:

All DS003 diaphragm seals are ordered to specific customer specifications. Please use below matrix to create your unique product reference, using the values in bold.

Make	Model	Diaphragm material	Upper housing	Lower housing	Clamp ring	Process connection (M or F)	Instrument connection (F)	Filling fluid	Extras
Brannan (BRN)	DS003 (DS03)	SS 316L (316L)	SS 304 (USS304)	SS 316 (LSS316)	Black steel (BS)	1/2" BSP (M) (M7)	1/4" BSP (3)	Glycerine (-18 to 204°C) (G)	Materials test certificate (MTC)
		Monel (MON)	SS 316 (USS316)	SS 316L (LSS316L)	Stainless steel 304 (SS304)	1/2" BSP (F) (F7)	1/4" NPT (4)	Silicone (-40 to 305°C) (S)	Flushing connection 1/2" NPT (FC8)
		Hastelloy C (HAS)		Hastelloy C (LHAS)		1/2" NPT (M) (M8)	3/8" BSP (5)	Halocarbon (-56 to 149°C) (H)	Flushing connection 1/2" BSP (FC7)
		Inconel (INC)		PVC (LPVC)		1/2" NPT (F) (F8)	3/8" NPT (6)	Syltherm 800 (-40 to +400°C) (SY800)	Flushing connection 1/4" NPT (FC4)
		Tantalum (TAN)		Polypropylene (LPOL)			1/2" BSP (7)		Flushing connection 1/4" BSP (FC3)
						1/2" NPT (8)			
						Others available on request		Others available on request	

Order example:

Make	Model	Diaphragm material	Upper housing	Lower housing	Clamp ring	Process connection (M or F)	Instrument connection (F)	Filling fluid	Extras
BRN	DS03	316L	USS316	LSS316	SS304	F8	8	S	MTC,FC8

Product reference: BRNDS03/316L/USS316/LSS316/SS304/F8/8/S/MTC/FC8