

Product data sheet

✉ sales@brannan.co.uk

☎ +44 (0)1946 816600

🌐 brannan.co.uk

DS002 - DIAPHRAGM SEAL - FLANGED FLUSH TYPE



Product features:

- Flush diaphragm
- Welded diaphragm seal
- Flange designed as per ANSI B 16.5.
- Various fill fluids available
- Wide flange sizes and pressure ratings
- A choice of diaphragm materials to allow suitability with a wide range of processes.
- **Brannan** quality

Applications:

- Oil and gas.
- Process Industry
- Chemical/Petrochemical

Standard product specifications:

Type	Machined flange with welded flush diaphragm
Design	ANSI B 16.5 (contact us for DIN design)
Flange size	1½", 2" or 3"
Pressure rating	150 PSI to 2500 PSI
Mounting	Direct mounting (please contact us for remote mounting options)
Flange facing	Raised face
Diaphragm material	Stainless steel 316L, Hastelloy C, Inconel, Monel, Tanatlum.
Flange material	Stainless steel 316, Stainless steel 316L, Hastelloy C
Instrument connection material	Stainless steel 304
Instrument connection	1/4", 3/8" or 1/2" BSP/NPT Female
Max pressure	Dependent on flange rating
Process temperature	Dependent on fill fluid, see below for details
Filling fluid	Glycerine (-18 to 204°C) Silicone (-40 to +305°C) Halocarbon (-56 to 149°C) Syltherm 800 (-40 to +400°C)
Fill port	Upper housing - set screw

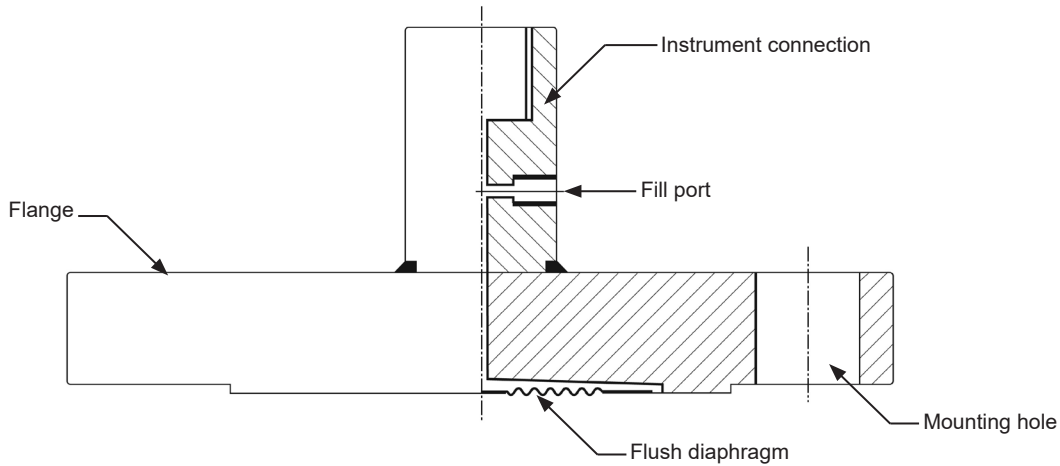
Product data sheet

✉ sales@brannan.co.uk

☎ +44 (0)1946 816600

🌐 brannan.co.uk

Product dimensions:



Product numbers:

All DS002 diaphragm seals are ordered to specific customer specifications. Please use below matrix to create your unique product reference, using the values in bold.

Make	Model	Diaphragm material	Instrument connection	Flange size	Rating	Filling fluid	Extras
Brannan (BRN)	DS002 (DS02)	SS 316L (316L)	1/4" BSP (3)	1½" (1.5)	150 psi (150)	Glycerin (-18 to 204°C) (G)	Materials Test Certificate (MTC)
		Monel (MON)	1/4" NPT (4)	2" (2)	300 psi (300)	Silicone (-40 to +305°C) (S)	
			3/8" BSP (5)	3" (3)	600 psi (600)		
		Hastelloy C (HAS)	3/8" NPT (6)		900 psi (900)	Halocarbon (-56 to 149°C) (H)	
			1/2" BSP (7)		1500 psi (1500)		
		Inconel (INC)	1/2" NPT (8)		2500 psi (2500)	Syltherm 800 (-40 to +400°C) (SY800)	
Tantalum (TAN)							
NB. Other units available on request							

Order example:

Make	Model	Diaphragm material	Instrument connection	Flange size	Rating	Filling fluid	Extras
BRN	DS02	316L	4	1.5	150	S	

Product reference: BRNDS02/316L/4/1.5/150/S