

Product data sheet

✉ sales@brannan.co.uk

☎ +44 (0)1946 816600

🌐 brannan.co.uk

DS001 - DIAPHRAGM SEAL - THREADED FLUSH TYPE



Product features:

- One piece construction
- Welded diaphragm
- Diaphragm seal flush to the end of the process thread.
- Compact design
- Stainless Steel 316L Diaphragm
- Silicon DC 200 filling (others available on request)
- Wide choice of instrument and process connections
- **Brannan** quality

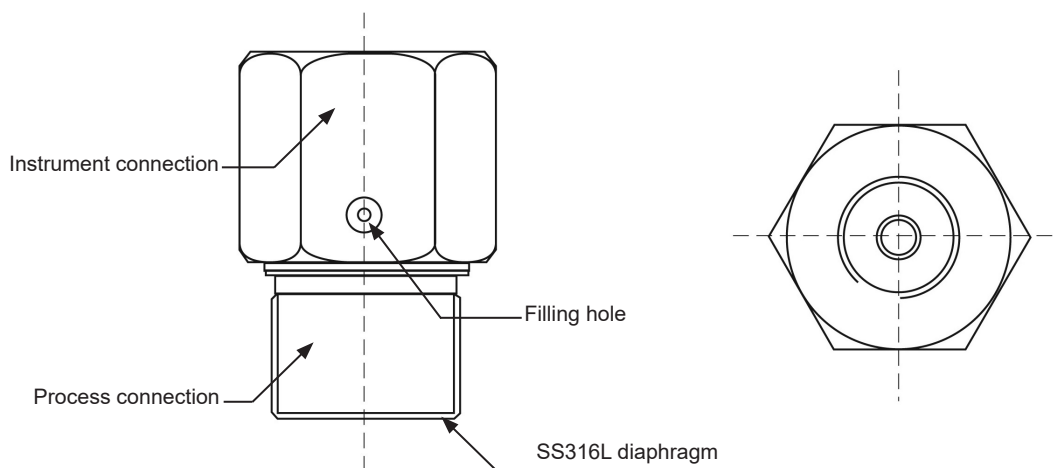
Applications:

- Isolation applications
- Corrosive pressure media
- Used where clogging, freezing or solidification may cause an issue.
- Process Industry

Standard product specifications:


Diaphragm material	Stainless steel 316L
Housing material	Stainless steel 316
Instrument connection	1/4", 3/8" or 1/2" BSP/NPT Female
Process connection	1/2", 3/4" or 1" BSP/NPT Male
Operating pressure	Up to 400 bar
Process temperature	-40 to 200°C
Filling fluid	Silicone DC 200 Oil (contact sales for alternative filling fluids)

Product dimensions:



Product data sheet

 sales@brannan.co.uk

 [+44 \(0\)1946 816600](tel:+44(0)1946816600)

 brannan.co.uk

Product numbers:

All DS001 diaphragm seals are ordered to specific customer specifications. Please use below matrix to create your unique product reference, using the values in bold.

Make	Model	Instrument connection	Process connection	Extras
Brannan (BRN)	DS001 (DS001)	1/4" BSP (3)	1/2" BSP (7)	Materials test Certificate (MTC)
		1/4" NPT (4)	1/2" NPT (8)	
		3/8" BSP (5)	3/4" BSP (14)	
		3/8" NPT (6)	3/4" NPT (15)	
		1/2" BSP (7)	1" BSP (16)	
		1/2" NPT (8)	1" NPT (17)	

Order example:

Make	Model	Instrument connection	Process connection	Extras
BRN	DS001	3	7	MTC

Product reference: BRNDS001/3/7/MTC