

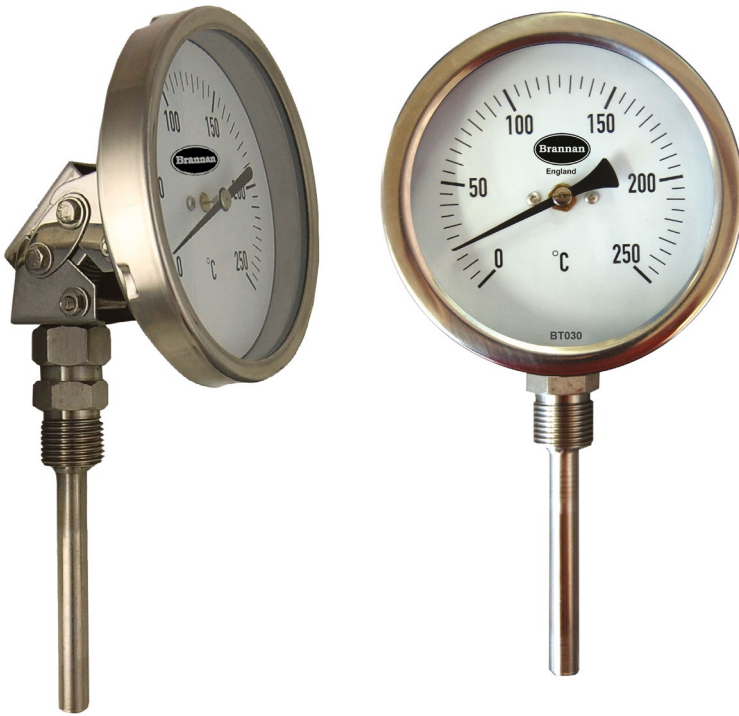
# Product data sheet

✉ [sales@brannan.co.uk](mailto:sales@brannan.co.uk)

☎ +44 (0)1946 816600

🌐 [brannan.co.uk](http://brannan.co.uk)

## BT030 - STAINLESS STEEL BIMETAL THERMOMETERS (CLASS 2)



### Product features:

- Thermometer with heavy duty stainless steel 304 case and bayonet style bezel
- Choice of temperature ranges, dial diameters and stem lengths
- Back entry, bottom entry or adjustable angle connections
- Recalibration screw (back connection and adjustable connection only)
- Stainless steel pockets can be supplied as extra. Use of a thermowell (pocket) is recommended when the stem would be exposed to pressure, corrosive fluid or high velocity media

### Applications:

- Wide range of applications including general industrial process, ventilation, heating and air conditioning, water/wastewater.

### Standard product specifications:

<b>Dial diameters</b>	63mm, 75mm, 100mm, 125mm & 150mm
<b>Design</b>	BS EN 13190 / ASME B40.200 Compliant
<b>Accuracy class</b>	+/-2%
<b>Ranges</b>	-40 to +650°C&F
<b>Case</b>	Stainless steel AISI 304
<b>Bezel</b>	Stainless steel AISI 304 - bayonet
<b>Connection</b>	Stainless steel 304, size as requested
<b>Stem</b>	Stainless steel 304 (316 optional)
<b>Stem length</b>	min. 63mm, max. 1000mm
<b>Stem diameter</b>	6.3mm, 8mm, 10mm or 12mm
<b>Sensor mechanism</b>	Bimetal coil
<b>Window</b>	Glass (laminated safety glass optional)
<b>Pointer</b>	Black aluminium
<b>Dial</b>	Black numbering on white background
<b>Filling</b>	Dry (contact us for silicone filling option)
<b>Protection</b>	IP 65 (contact us for IP 67/IP68 options)
<b>Calibration</b>	UKAS certification, certificate traceable to recognised national standard or statement of conformity, if required

### Calibration product numbers:

Calibration	No of points	Product number
UKAS	3pt	49/070/0
Traceable to National Standards	1pt	49/099/0
	3pt	49/101/0
	4pt	49/104/0
	5pt	49/105/0

View me on the website



# Product data sheet

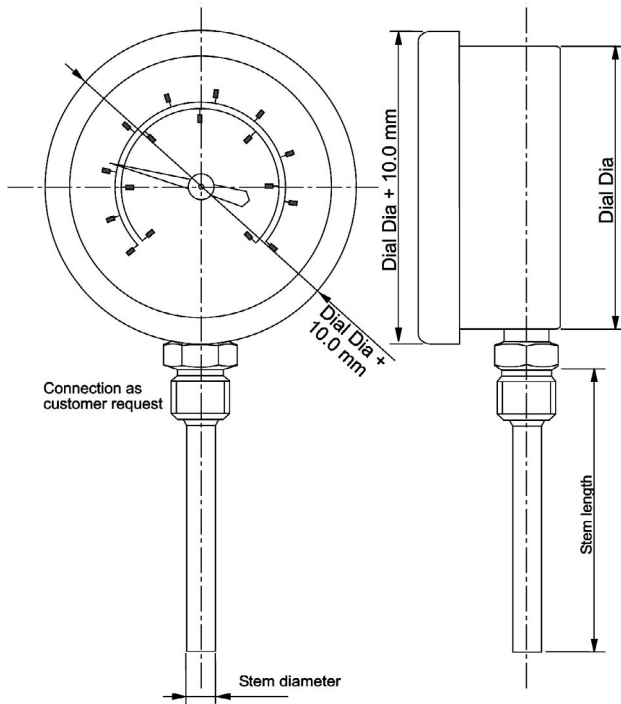
✉ [sales@brannan.co.uk](mailto:sales@brannan.co.uk)

☎ +44 (0)1946 816600

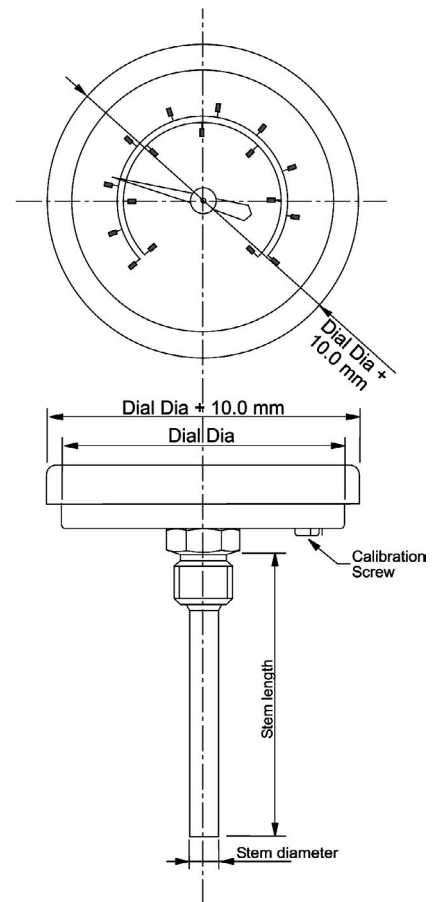
🌐 [brannan.co.uk](http://brannan.co.uk)

## Dimensions:

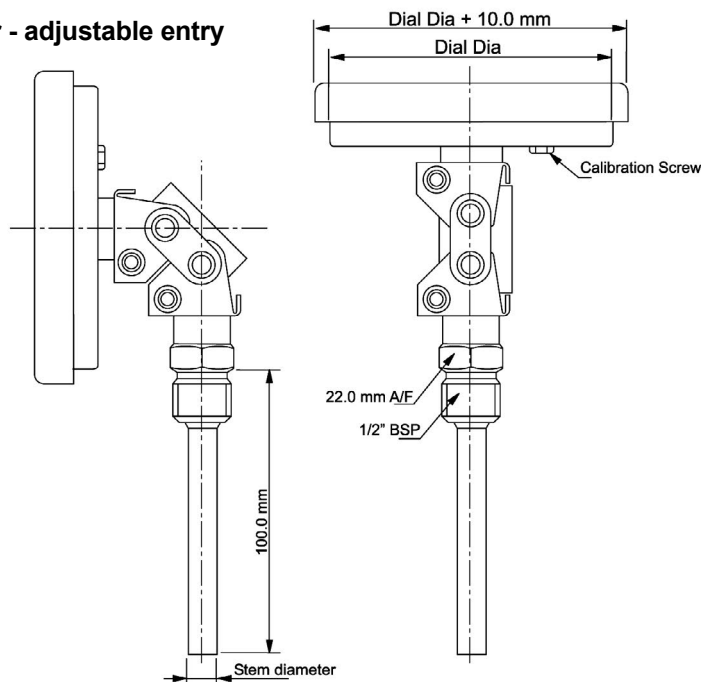
### Dial thermometer - bottom entry



### Dial thermometer - back entry




### Dial thermometer - adjustable entry



# Product data sheet

 [sales@brannan.co.uk](mailto:sales@brannan.co.uk)

 +44 (0)1946 816600

 [brannan.co.uk](http://brannan.co.uk)

## Product numbers:

All BT030 dials are ordered to specific customer specifications. Please use below matrix to create your unique ordering product reference, using the values in bold.

Make	Model	Dial diameter	Range	Units	Stem length	Stem diameter	Connection size/type	Connection orientation	Extras			
Brannan (BRN)	BT030 (BT30)	63mm <b>(63)</b>	Celsius: <b>-40+60</b> <b>-30+70</b>	°C outer / °F inner <b>(CF)</b>	<b>63mm to</b> <b>100mm</b>	6.3mm <b>(6)</b>	Plain stem <b>(0)</b>	Bottom <b>(BO)</b>	Laminated safety glass <b>(LG)</b>			
		75mm <b>(75)</b>	<b>-20+60</b> <b>-20+120</b>				Fixed 1/2" BSP <b>(7)</b>			Centre back <b>(CB)</b>		
		100mm <b>(100)</b>	<b>0+100</b> <b>0+120</b>	°F outer / °C inner <b>(FC)</b>	8mm <b>(8)</b>	Fixed 1/2" NPT <b>(8)</b>	Adjustable angle <b>(AD)</b>	SS316 stem <b>(316)</b>				
			<b>0+150</b> <b>0+160</b>			Fixed 3/8" BSP <b>(5)</b>						
		125mm <b>(125)</b>	<b>0+200</b> <b>0+250</b>	°C only <b>(C)</b>	10mm <b>(10)</b>	Fixed 3/8" NPT <b>(6)</b>	SS304 thermowell <b>(TW304)</b>					
			<b>0+300</b> <b>0+400</b>			Fixed 1/4" BSP <b>(3)</b>						
		160mm <b>(160)</b>	<b>0+500</b> <b>0+600</b>	°F only <b>(F)</b>	12mm <b>(12)</b>	Fixed 1/4" NPT <b>(4)</b>	SS316 thermowell <b>(TW316)</b>					
			<b>+100+550</b> <b>+50+650</b>			Fixed 1/4" BSPT <b>(10)</b>						
		Fahrenheit:						Fixed 3/8" BSPT <b>(11)</b>				
		<b>-40+120</b>						Fixed 1/2" BSPT <b>(12)</b>				
		<b>-40+160</b>						Sliding union 1/2" BSP <b>(S7)</b>				
		<b>0+140</b>						Sliding union 1/2" NPT <b>(S8)</b>				
		<b>0+200</b>						Sliding union 3/8" BSP <b>(S5)</b>				
		<b>0+250</b>						Sliding union 3/8" NPT <b>(S6)</b>				
		<b>+50+300</b>						Sliding union 1/4" BSP <b>(S3)</b>				
		<b>+50+400</b>						Sliding union 1/4" NPT <b>(S4)</b>				
		<b>+50+550</b>						Sliding union 1/4" BSPT <b>(S10)</b>				
		<b>+150+750</b>						Sliding union 3/8" BSPT <b>(S11)</b>				
		<b>0+800</b>						Sliding union 1/2" BSPT <b>(S12)</b>				
		<b>+20+1000</b>										
		<b>+50+750</b>										
		NB. Other ranges available on request								NB. Others available on request		NB. When more than one extra is required, please separate each code with a comma when building your product reference

## Order example:

Make	Model	Dial diameter	Range	Units	Stem length	Stem diameter	Connection size/type	Connection orientation	Extras
BRN	BT30	100	0+120	CF	200	10	7	AD	LG,TW304

Product reference: BRNBT30/100/0+120/CF/200/10/7/AD/LG,TW304