

Product data sheet

✉ sales@brannan.co.uk

☎ +44 (0)1946 816600

🌐 brannan.co.uk

BT030 - STAINLESS STEEL BIMETAL THERMOMETERS (CLASS 2)



Product features:

- Thermometer with heavy duty stainless steel 304 case and bayonet style bezel
- Choice of temperature ranges, dial diameters and stem lengths
- Back entry, bottom entry or adjustable angle connections
- Recalibration screw (back connection and adjustable connection only)
- Stainless steel pockets can be supplied as extra.
Use of a thermowell (pocket) is always recommended

Applications:

- Wide range of applications including general industrial process, ventilation, heating and air conditioning, water/wastewater.

Standard product specifications:

Dial diameters	63mm, 75mm, 100mm, 125mm & 150mm
Design	BS EN 13190 / ASME B40.200 Compliant
Accuracy class	2
Ranges	-40 to +650°C&F
Case	Stainless steel AISI 304
Bezel	Stainless steel AISI 304 - bayonet
Connection	Stainless steel 304, size as requested
Stem	Stainless steel 304 (316 optional)
Stem length	min. 63mm, max. 1000mm
Stem diameter	6.3mm, 8mm, 10mm or 12mm
Sensor mechanism	Bimetal coil
Window	Glass (laminated safety glass optional)
Pointer	Black aluminium
Dial	Black numbering on white background
Filling	Dry (contact us for silicone filling option)
Protection	IP 65 (contact us for IP 67/IP68 options)
Calibration	Certificate traceable to recognised national standard or statement of conformity, if required

Calibration product numbers:

Calibration	No of points	Product number
Traceable to National Standards	1pt	49/099/0
	3pt	49/101/0
	4pt	49/104/0
	5pt	49/105/0

View me on the website



Product data sheet

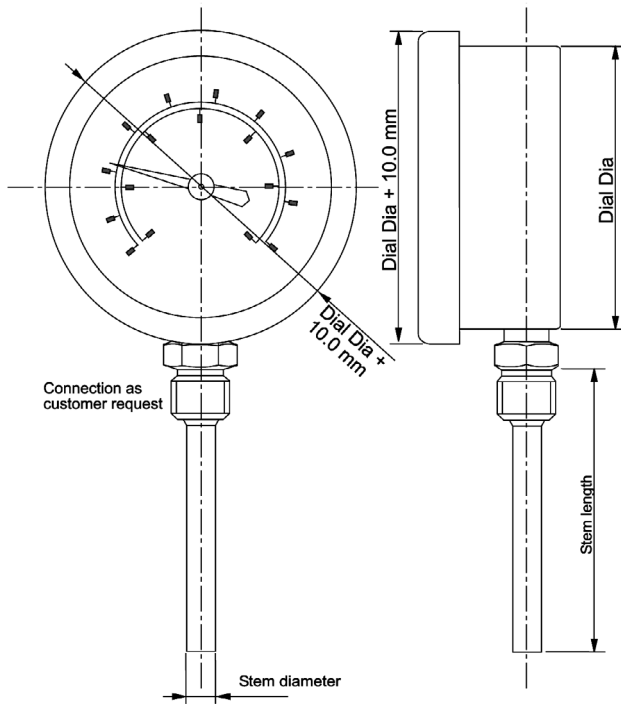
✉ sales@brannan.co.uk

☎ +44 (0)1946 816600

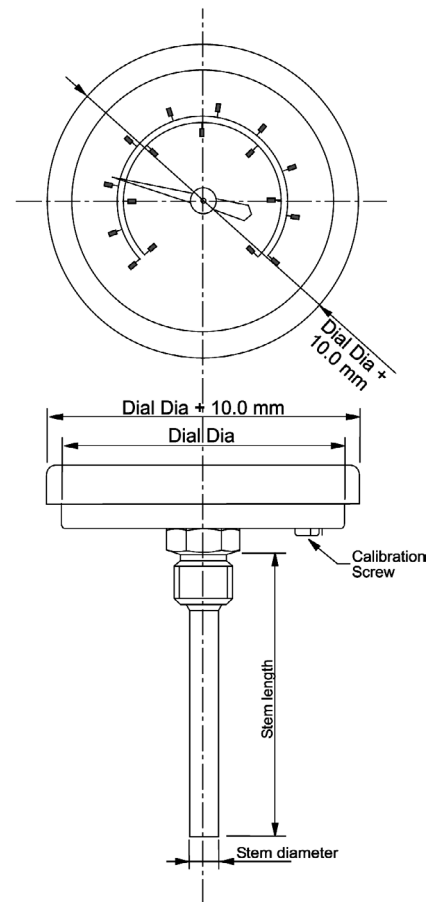
🌐 brannan.co.uk

Dimensions:

Dial thermometer - bottom entry



Dial thermometer - back entry



Dial thermometer - adjustable entry

