

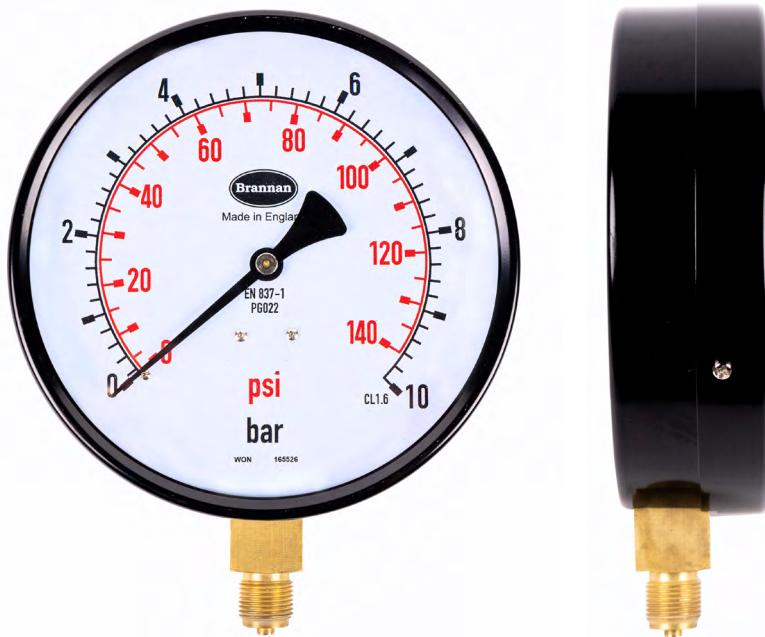
Product data sheet

✉ sales@brannan.co.uk

☎ +44 (0)1946 816600

🌐 brannan.co.uk

PG022 - BLACK CASE PRESSURE GAUGE WITH BEZEL



Features:

- Pressure gauge with black bezel
- **Brannan** quality and accuracy
- For dry indoor installations
- Wide range of associated accessories available
- Made in England
- Ideal for customer own branding

Standard product specifications:

Dial diameters	100mm & 150mm
Design	BS EN 837
Safety category	S1 (blow-out device gauge)
Accuracy class	1.6 (Class 1.0 available on request for Ø150mm)
Ranges	0 to 6 bar & psi through to 0 to 25 bar & psi
Case	Black steel
Bezel	Black steel
Connection	3/8" BSP Brass bottom entry only (others available on request)
Window	Glass
Pointer	Black aluminium
Filling	Dry
Working pressure	Steady: 75% full scale range Fluctuating: 60% full scale range Short time: full scale range
Operating temperature	Ambient: -20 to +60°C Medium: -20 to +60°C
Storage temperature	-40 to +60°C
Temperature effect	When temperature of the pressure element deviates from reference temperature of 20°C the maximum additional error is +/-0.4 per 10°C of the span rising and falling
Bourdon	Cu-Alloy C-type
Bourdon movement	Cu-Alloy
Protection	IP 43 (BS EN 60529:1992)
Calibration	UKAS certification, certificate traceable to recognised national standard or statement of conformity, if required

Product data sheet

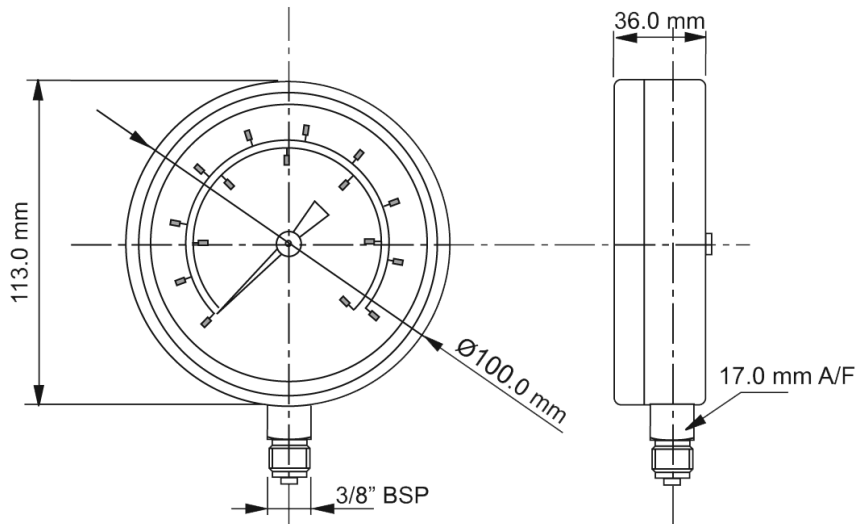
✉ sales@brannan.co.uk

☎ [+44 \(0\)1946 816600](tel:+44(0)1946816600)

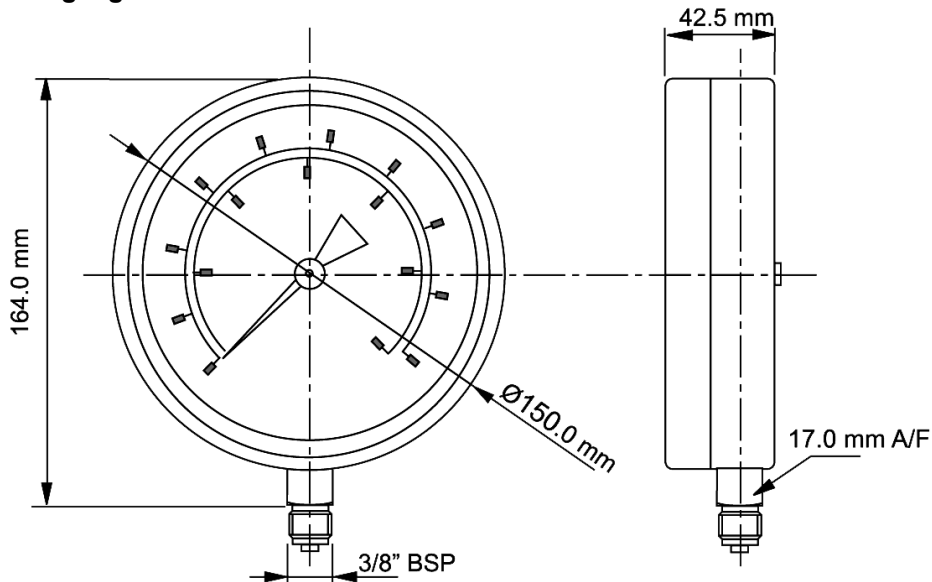
🌐 brannan.co.uk

Product dimensions:

100mm dial pressure gauge




150mm dial pressure gauge



Product data sheet

 sales@brannan.co.uk

 +44 (0)1946 816600

 brannan.co.uk

Product weights:

Dial diameter	Box dimensions	Net weight	Box weight	Total weight
100mm	132 x 118 x 42mm	248.0g	21.0g	269.0g
150mm	198 x 166 x 50mm	759.0g	60.5g	819.5g

150mm Standard product numbers: (100mm product numbers on request)

Range bar & PSI	Product number
0 to 6	34/574/0
0 to 10	34/575/0
0 to 16	34/576/0
0 to 25	34/577/0

Calibration product numbers:

Calibration	No of points	Product number
UKAS	5pt	49/075/0
Traceable to National Standards	5pt	49/060/0

Other calibration types available on request



Personalised instrumentation

As an additional service, we are able to offer full, four colour, logo print on **Brannan** gauges to personalise your products. Our state of the art printing process enables us to work with you to provide a branded product to enhance your instruments. This service is provided at our UK manufacturing facility and so enables a rapid turnaround (ex-stock gauges). Please contact our sales team for details.