

Product data sheet

✉ sales@brannan.co.uk

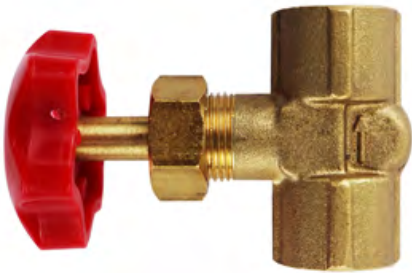
☎ +44 (0)1946 816600

🌐 brannan.co.uk

ANV010 - Needle Valve

Product features:

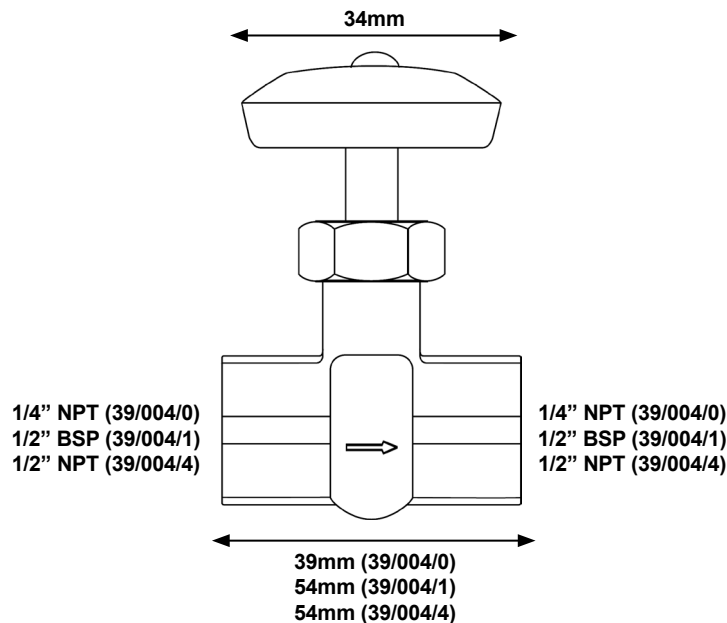
- Brass isolation valve for pressure gauges
- Provides flow control for non-corrosive applications
- **Brannan** quality



Product specifications:

Body	Brass
Handle	ABS Plastic
O-Ring	Rubber
Shaft	Brass
Nut	Brass
Connection	See table below
Ambient/process temperature	0 to 200°F (0 to 93.3°C)
Maximum operating pressure	16 bar

Product dimensions:



Product numbers:

Connection	Net weight	Product number
1/4" NPT Female x Female	92g	39/004/0
1/2" BSP Female x Female	229g	39/004/1
1/2" NPT Female x Female	229g	39/004/4
1/2" BSP Male x Female	on request	39/004/2

View me on
the website

