

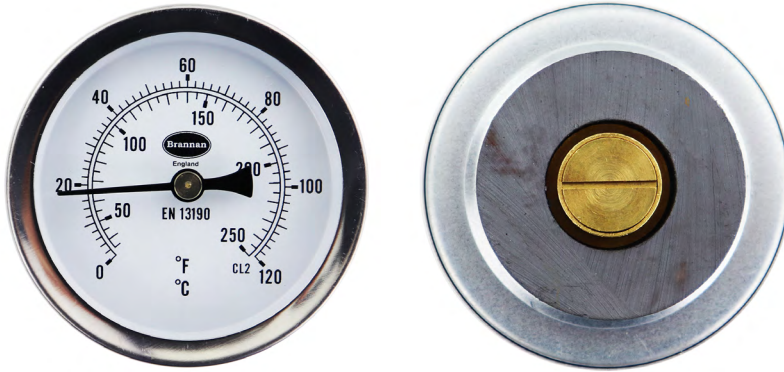
Product data sheet

✉ sales@brannan.co.uk

☎ +44 (0)1946 816600

🌐 brannan.co.uk

BT055 - MAGNETIC RADIATOR THERMOMETER



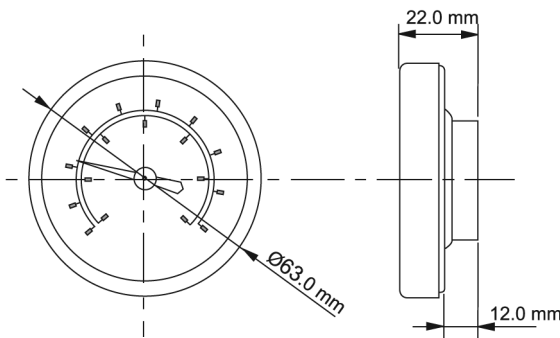
Product features:

- Thermometer with large magnet for attaching to radiator
- Measures temperature inside radiator
- Low price and easy installation
- **Brannan** quality and accuracy

Standard product specifications:

Dial diameters	63mm
Design	BS EN 13190
Accuracy	+/-4°C
Ranges	-50 to +50°C&F and 0 to +120°C&F
Case	Galvanised steel case and bezel
Window	Glass
Pointer	Black plastic
Filling	Dry
Sensor mechanism	Standard bimetal coil

Dimensions:



Packaging specifications:

- Packed in individual box
- Box weight: 16g
- Box dimensions: 72 x 72 x 30mm

Standard product numbers:

Range	Barcode	Product no
-50 to +50°C&F	5 011405 334114	33/411/0
0 to +120°C&F	5 011405 334091	33/409/0

View me on the website



The product is designed to be placed on the external surface of a radiator but measure temperature inside the radiator. Because of this we apply an adjustment to ensure the temperature reading closely reflects the inside temperature. Due to the above it is not recommended to have the instrument calibrated by a calibration laboratory.