

Product data sheet

✉ sales@brannan.co.uk

☎ +44 (0)1946 816600

🌐 brannan.co.uk

XT040 - STAINLESS STEEL LIQUID EXPANSION THERMOMETERS



Features:

- Weatherproof thermometer with stainless steel case and bezel
- High quality liquid expansion measuring system
- Choice of dial diameters
- Wide choice of temperature ranges and stem lengths
- Supplied complete with stainless steel pocket or sliding union
- **Brannan** quality and accuracy
- For outdoor and high humidity installations
- Wide range of associated accessories available (see Accessories section of this catalogue)

Standard product specifications:

| | |
|------------------------------|---|
| Dial diameters | 100mm & 150mm |
| Design | BS EN 13190 |
| Accuracy class | 2 |
| Ranges | -40 to +40°C&F through to 0 to +250°C&F |
| Case | 304 Stainless steel |
| Bezel | 304 Stainless steel |
| Seal | 74 shore D polyurethane |
| Connection | 1/2" BSP bottom or back entry |
| Stem lengths | 140mm, 200mm & 250mm |
| Pocket lengths | 63mm, 100mm & 150mm |
| Sensor mechanism | Liquid expansion (Kerosene filling) |
| Window | Glass |
| Pointer | Black plastic |
| Filling | Dry |
| Operating temperature | 0 to +40°C (higher or lower temperatures can cause indication errors) |
| Storage temperature | -40 to +60°C |
| Protection | IP67 |
| Calibration | UKAS certification, certificate traceable to recognised national standard or statement of conformity, if required |

Product data sheet

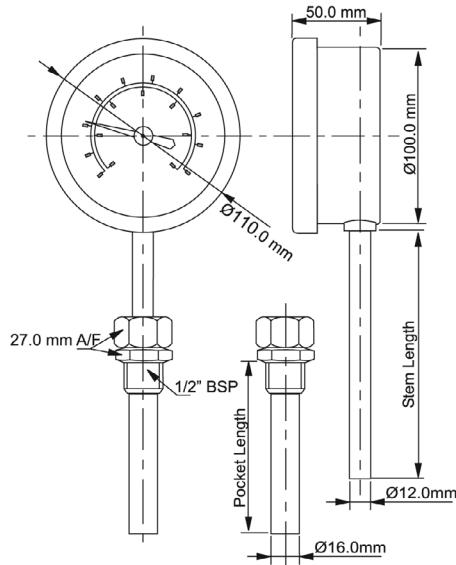
✉ sales@brannan.co.uk

☎ +44 (0)1946 816600

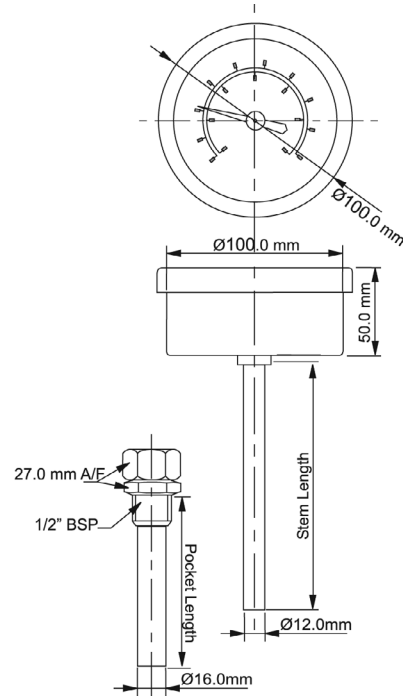
🌐 brannan.co.uk

Dimensions:

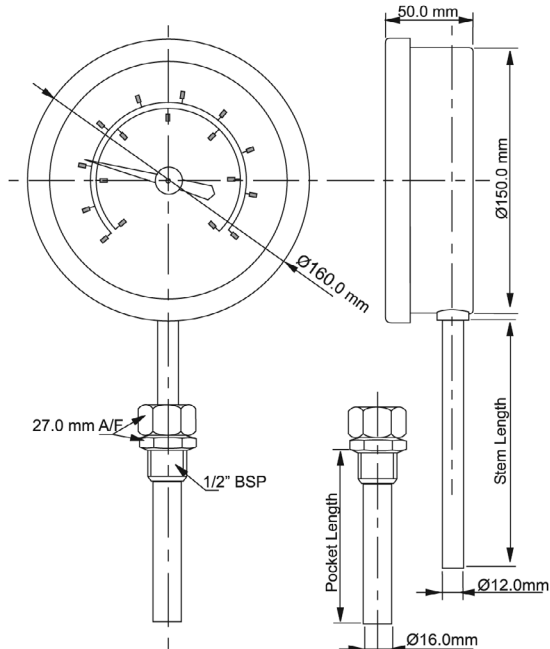
100mm Dial thermometer - bottom entry



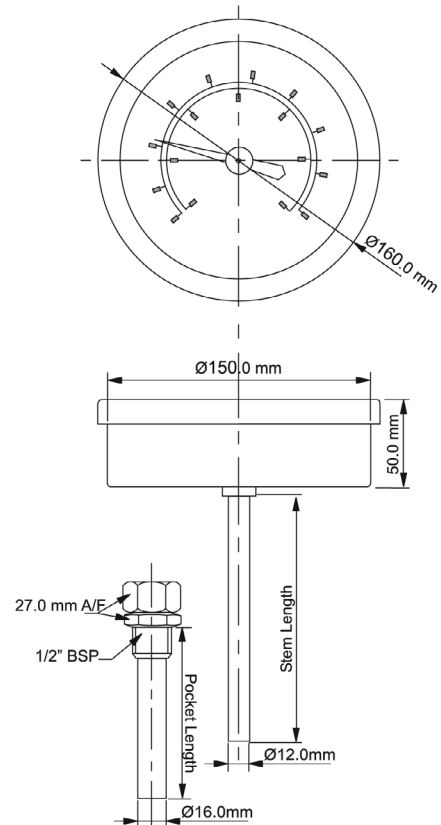
100mm Dial thermometer - back entry



150mm Dial thermometer - bottom entry



150mm Dial thermometer - back entry



Product data sheet

Standard product numbers:

The following are our standard product numbers for dial thermometers supplied complete with pocket. Special products can be supplied on request, for example, customer own branding, alternative pocket length, range, etc. Minimum order quantities apply. Please contact our Sales Team for further information.

100mm Diameter dials - supplied with pocket:

| Range | Stem(S) length / Pocket(P) length | | | | | | | |
|-------------------|-----------------------------------|--------------------|--------------------|--------------------|-------------------|--------------------|--------------------|--------------------|
| | Bottom entry | | | | Back entry | | | |
| | S=140mm P=63mm | S=140mm P=100mm | S=200mm P=150mm | S=250mm P=150mm | S=140mm P=63mm | S=140mm P=100mm | S=200mm P=150mm | S=250mm P=150mm |
| -40 to +40°C only | 300/621/0 | 300/641/0 | 300/661/0 | 300/681/0 | 301/621/0 | 301/641/0 | 301/661/0 | 301/681/0 |
| -40 to +40°C&F | 300/622/0 | 300/642/0 | 300/662/0 | 300/682/0 | 301/622/0 | 301/642/0 | 301/662/0 | 301/682/0 |
| -20 to +60°C only | 300/623/0 | 300/643/0 | 300/663/0 | 300/683/0 | 301/623/0 | 301/643/0 | 301/663/0 | 301/683/0 |
| -20 to +60°C&F | 300/624/0 | 300/644/0 | 300/664/0 | 300/684/0 | 301/624/0 | 301/644/0 | 301/664/0 | 301/684/0 |
| 0 to +120°C only | 300/625/0 | 300/645/0 | 300/665/0 | 300/685/0 | 301/625/0 | 301/645/0 | 301/665/0 | 301/685/0 |
| 0 to +120°C&F | 300/626/0 | 300/646/0 | 300/666/0 | 300/686/0 | 301/626/0 | 301/646/0 | 301/666/0 | 301/686/0 |
| 0 to +160°C only | 300/627/0 | 300/647/0 | 300/667/0 | 300/687/0 | 301/627/0 | 301/647/0 | 301/667/0 | 301/687/0 |
| 0 to +160°C&F | 300/628/0 | 300/648/0 | 300/668/0 | 300/688/0 | 301/628/0 | 301/648/0 | 301/668/0 | 301/688/0 |
| 0 to +200°C only | 300/629/0 | 300/649/0 | 300/669/0 | 300/689/0 | 301/629/0 | 301/649/0 | 301/669/0 | 301/689/0 |
| 0 to +200°C&F | 300/630/0 | 300/650/0 | 300/670/0 | 300/690/0 | 301/630/0 | 301/650/0 | 301/670/0 | 301/690/0 |
| 0 to +250°C only | 300/631/0 | 300/651/0 | 300/671/0 | 300/691/0 | 301/631/0 | 301/651/0 | 301/671/0 | 301/691/0 |
| 0 to +250°C&F | 300/632/0 | 300/652/0 | 300/672/0 | 300/692/0 | 301/632/0 | 301/652/0 | 301/672/0 | 301/692/0 |

150mm Diameter dials - supplied with pocket:

| Range | Stem(S) length / Pocket(P) length | | | | | | | |
|-------------------|-----------------------------------|--------------------|--------------------|--------------------|-------------------|--------------------|--------------------|--------------------|
| | Bottom entry | | | | Back entry | | | |
| | S=140mm P=63mm | S=140mm P=100mm | S=200mm P=150mm | S=250mm P=150mm | S=140mm P=63mm | S=140mm P=100mm | S=200mm P=150mm | S=250mm P=150mm |
| -40 to +40°C only | 300/921/0 | 300/941/0 | 300/961/0 | 300/981/0 | 301/921/0 | 301/941/0 | 301/961/0 | 301/981/0 |
| -40 to +40°C&F | 300/922/0 | 300/942/0 | 300/962/0 | 300/982/0 | 301/922/0 | 301/942/0 | 301/962/0 | 301/982/0 |
| -20 to +60°C only | 300/923/0 | 300/943/0 | 300/963/0 | 300/983/0 | 301/923/0 | 301/943/0 | 301/963/0 | 301/983/0 |
| -20 to +60°C&F | 300/924/0 | 300/944/0 | 300/964/0 | 300/984/0 | 301/924/0 | 301/944/0 | 301/964/0 | 301/984/0 |
| 0 to +120°C only | 300/925/0 | 300/945/0 | 300/965/0 | 300/985/0 | 301/925/0 | 301/945/0 | 301/965/0 | 301/985/0 |
| 0 to +120°C&F | 300/926/0 | 300/946/0 | 300/966/0 | 300/986/0 | 301/926/0 | 301/946/0 | 301/966/0 | 301/986/0 |
| 0 to +160°C only | 300/927/0 | 300/947/0 | 300/967/0 | 300/987/0 | 301/927/0 | 301/947/0 | 301/967/0 | 301/987/0 |
| 0 to +160°C&F | 300/928/0 | 300/948/0 | 300/968/0 | 300/988/0 | 301/928/0 | 301/948/0 | 301/968/0 | 301/988/0 |
| 0 to +200°C only | 300/929/0 | 300/949/0 | 300/969/0 | 300/989/0 | 301/929/0 | 301/949/0 | 301/969/0 | 301/989/0 |
| 0 to +200°C&F | 300/930/0 | 300/950/0 | 300/970/0 | 300/990/0 | 301/930/0 | 301/950/0 | 301/970/0 | 301/990/0 |
| 0 to +250°C only | 300/931/0 | 300/951/0 | 300/971/0 | 300/991/0 | 301/931/0 | 301/951/0 | 301/971/0 | 301/991/0 |
| 0 to +250°C&F | 300/932/0 | 300/952/0 | 300/972/0 | 300/992/0 | 301/932/0 | 301/952/0 | 301/972/0 | 301/992/0 |

Net product weights (Thermometer dials - supplied with pocket):

| Stem(S) length / Pocket(P) length | | | | | | | |
|-----------------------------------|--------------------|--------------------|--------------------|----------------------------------|--------------------|--------------------|--------------------|
| 100mm dia (bottom or back entry) | | | | 150mm dia (bottom or back entry) | | | |
| S=140mm P=63mm | S=140mm P=100mm | S=200mm P=150mm | S=250mm P=150mm | S=140mm P=63mm | S=140mm P=100mm | S=200mm P=150mm | S=250mm P=150mm |
| 485g | 501g | 561g | 568g | 881g | 897g | 957g | 964g |

Product data sheet

Standard product numbers:

The following are our standard product numbers for dial thermometers supplied complete with sliding union (no pocket). Special products can be supplied on request, for example, customer own branding, alternative pocket length, range, etc. Minimum order quantities apply. Please contact our Sales Team for further information.

100mm Diameter dials - supplied with sliding union (no pocket):

| Range | Bottom connection | | | Back connection | | |
|-------------------|-------------------|------------|------------|-----------------|------------|------------|
| | 140mm Stem | 200mm Stem | 250mm Stem | 140mm Stem | 200mm Stem | 250mm Stem |
| -40 to +40°C only | 310/641/0 | 310/661/0 | 310/681/0 | 311/641/0 | 311/661/0 | 311/681/0 |
| -40 to +40°C&F | 310/642/0 | 310/662/0 | 310/682/0 | 311/642/0 | 311/662/0 | 311/682/0 |
| -20 to +60°C only | 310/643/0 | 310/663/0 | 310/683/0 | 311/643/0 | 311/663/0 | 311/683/0 |
| -20 to +60°C&F | 310/644/0 | 310/664/0 | 310/684/0 | 311/644/0 | 311/664/0 | 311/684/0 |
| 0 to +120°C only | 310/645/0 | 310/665/0 | 310/685/0 | 311/645/0 | 311/665/0 | 311/685/0 |
| 0 to +120°C&F | 310/646/0 | 310/666/0 | 310/686/0 | 311/646/0 | 311/666/0 | 311/686/0 |
| 0 to +160°C only | 310/647/0 | 310/667/0 | 310/687/0 | 311/647/0 | 311/667/0 | 311/687/0 |
| 0 to +160°C&F | 310/648/0 | 310/668/0 | 310/688/0 | 311/648/0 | 311/668/0 | 311/688/0 |
| 0 to +200°C only | 310/649/0 | 310/669/0 | 310/689/0 | 311/649/0 | 311/669/0 | 311/689/0 |
| 0 to +200°C&F | 310/650/0 | 310/670/0 | 310/690/0 | 311/650/0 | 311/670/0 | 311/690/0 |
| 0 to +250°C only | 310/651/0 | 310/671/0 | 310/691/0 | 311/651/0 | 311/671/0 | 311/691/0 |
| 0 to +250°C&F | 310/652/0 | 310/672/0 | 310/692/0 | 311/652/0 | 311/672/0 | 311/692/0 |

150mm Diameter dials - supplied with sliding union (no pocket):

| Range | Bottom connection | | | Back connection | | |
|-------------------|-------------------|------------|------------|-----------------|------------|------------|
| | 140mm Stem | 200mm Stem | 250mm Stem | 140mm Stem | 200mm Stem | 250mm Stem |
| -40 to +40°C only | 310/941/0 | 310/961/0 | 310/981/0 | 311/941/0 | 311/961/0 | 311/981/0 |
| -40 to +40°C&F | 310/942/0 | 310/962/0 | 310/982/0 | 311/942/0 | 311/962/0 | 311/982/0 |
| -20 to +60°C only | 310/943/0 | 310/963/0 | 310/983/0 | 311/943/0 | 311/963/0 | 311/983/0 |
| -20 to +60°C&F | 310/944/0 | 310/964/0 | 310/984/0 | 311/944/0 | 311/964/0 | 311/984/0 |
| 0 to +120°C only | 310/945/0 | 310/965/0 | 310/985/0 | 311/945/0 | 311/965/0 | 311/985/0 |
| 0 to +120°C&F | 310/946/0 | 310/966/0 | 310/986/0 | 311/946/0 | 311/966/0 | 311/986/0 |
| 0 to +160°C only | 310/947/0 | 310/967/0 | 310/987/0 | 311/947/0 | 311/967/0 | 311/987/0 |
| 0 to +160°C&F | 310/948/0 | 310/968/0 | 310/988/0 | 311/948/0 | 311/968/0 | 311/988/0 |
| 0 to +200°C only | 310/949/0 | 310/969/0 | 310/989/0 | 311/949/0 | 311/969/0 | 311/989/0 |
| 0 to +200°C&F | 310/950/0 | 310/970/0 | 310/990/0 | 311/950/0 | 311/970/0 | 311/990/0 |
| 0 to +250°C only | 310/951/0 | 310/971/0 | 310/991/0 | 311/951/0 | 311/971/0 | 311/991/0 |
| 0 to +250°C&F | 310/952/0 | 310/972/0 | 310/992/0 | 311/952/0 | 311/972/0 | 311/992/0 |

Net product weights (Thermometer dials - supplied with sliding union):

| Stem(S) length + sliding union | | | | | |
|----------------------------------|---------|---------|----------------------------------|---------|---------|
| 100mm dia (bottom or back entry) | | | 150mm dia (bottom or back entry) | | |
| S=140mm | S=200mm | S=250mm | S=140mm | S=200mm | S=250mm |
| 502g | 536g | 543g | 881g | 898g | 939g |

Packaging:

All stainless steel expansion dial thermometers are supplied in individual box with specification label.

Product data sheet

✉ sales@brannan.co.uk

☎ +44 (0)1946 816600

🌐 brannan.co.uk

Pockets for thermometers (Thermowells):

- Available in brass or stainless steel
- To suit stem lengths 50mm, 100mm or 150mm



Standard product numbers:

| Connection | Supplied as standard | Material | Product no | | |
|--|----------------------|-----------------|------------|----------|----------|
| | | | L=50mm | L=100mm | L=150mm |
| Sliding fit F x 1/2" BSP M | BT010, BT020 | Brass | 39/097/0 | 39/098/0 | - |
| Sliding fit F x 1/2" BSP M | - | Stainless Steel | 39/095/0 | 39/096/0 | - |
| 3/8" BSP F x 1/2" BSP M | XT020, XT025 | Brass | 39/121/0 | 39/122/0 | 39/123/0 |
| 3/8" BSP F x 1/2" BSP M | XT040, XT045 | Stainless Steel | 39/111/0 | 39/112/0 | 39/113/0 |
| 3/8" BSP F x 1/2" BSP M with 50mm Lagging extensions | - | Brass | 39/160/0 | 39/161/0 | - |
| 3/8" BSP F x 1/2" BSP M with 50mm Lagging extensions | - | Stainless Steel | 39/170/0 | 39/171/0 | - |
| 3/8" BSP F x 3/4" BSP M | - | Brass | 39/124/0 | 39/125/0 | 39/120/0 |
| 3/8" BSP F x 3/4" BSP M | - | Stainless Steel | 39/114/0 | 39/115/0 | 39/116/0 |

View me on the website

