

# Product data sheet

✉ [sales@brannan.co.uk](mailto:sales@brannan.co.uk)

☎ +44 (0)1946 816600

🌐 [brannan.co.uk](http://brannan.co.uk)

## BT040 - STAINLESS STEEL BIMETAL THERMOMETERS (CLASS 1)



### Product features:

- Thermometer with heavy duty stainless steel 304 case and bayonet style bezel
- Choice of temperature ranges, dial diameters and stem lengths
- Back entry, bottom entry or adjustable angle connections
- Recalibration screw (back connection and adjustable connection only)
- Stainless steel pockets can be supplied as extra. Use of a thermowell (pocket) is recommended when the stem would be exposed to pressure, corrosive fluid or high velocity media
- Silicone filling available

### Applications:

- Wide range of applications including oil and gas, chemical and petrochemical, ventilation, heating and air conditioning, water/wastewater and general industrial processes

### Standard product specifications:

<b>Dial diameters</b>	63mm, 100mm 115mm & 150mm
<b>Design</b>	BS EN 13190 / ASME B40.200 Compliant
<b>Accuracy class</b>	Class 1 (EN13190)
<b>Ranges</b>	-50 to +650°C&F
<b>Case</b>	Stainless steel AISI 304
<b>Bezel</b>	Stainless steel AISI 304 - bayonet
<b>Connection</b>	Stainless steel 316, size as requested
<b>Stem</b>	Stainless steel 316L
<b>Stem length</b>	min. 63mm, max. 1000mm
<b>Stem diameter</b>	6.3mm, 8mm, 10mm or 12mm
<b>Sensor mechanism</b>	Bimetal coil
<b>Window</b>	Glass (laminated safety glass optional)
<b>Pointer</b>	Black aluminium
<b>Dial</b>	Black numbering on white background
<b>Filling</b>	Dry or silicone filled (up to 300°C)
<b>Protection</b>	IP 67 or IP 68
<b>Calibration</b>	UKAS certification, certificate traceable to recognised national standard or statement of conformity, if required

### Calibration product numbers:

Calibration	No of points	Product number
UKAS	3pt	49/070/0
Traceable to National Standards	1pt	49/099/0
	3pt	49/101/0
	4pt	49/104/0
	5pt	49/105/0

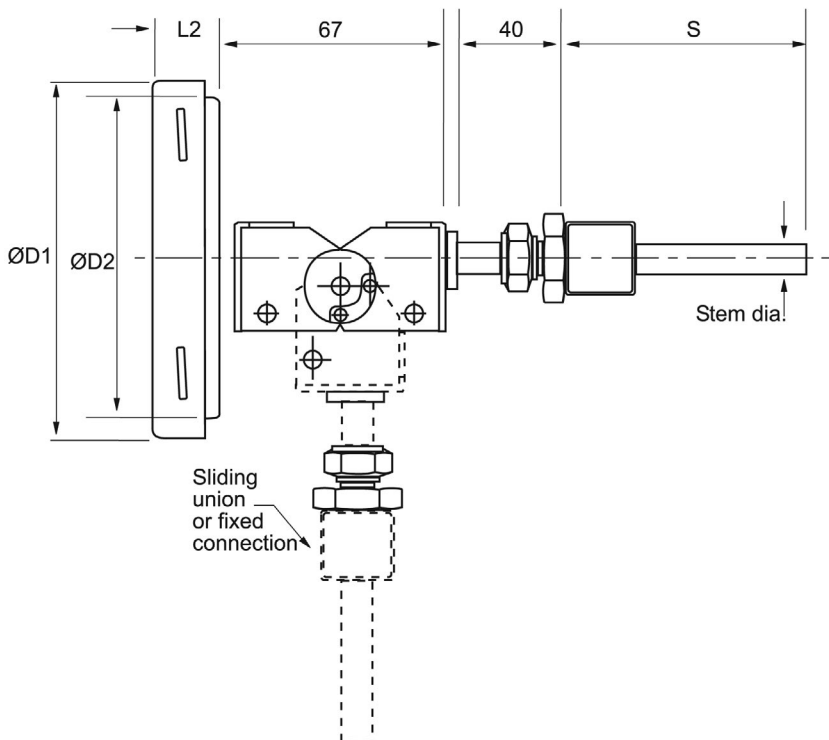
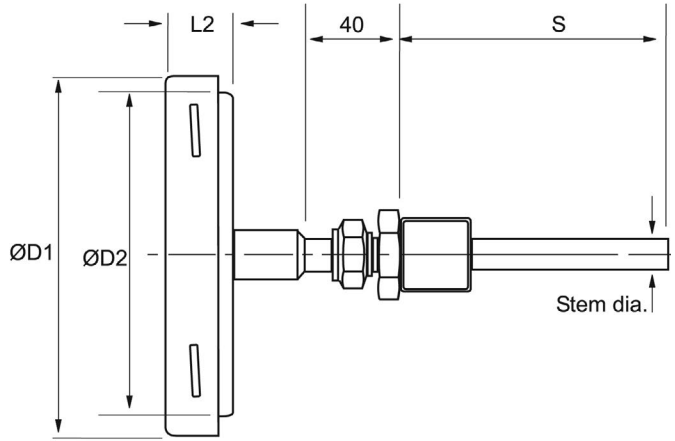
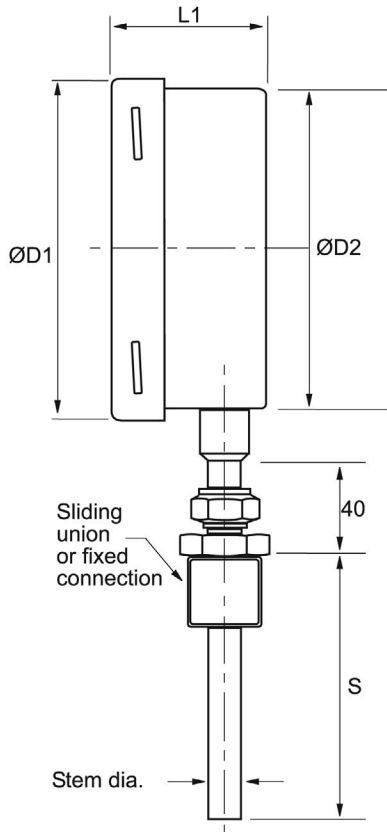
# Product data sheet

✉ [sales@brannan.co.uk](mailto:sales@brannan.co.uk)

☎ +44 (0)1946 816600

🌐 [brannan.co.uk](http://brannan.co.uk)

## Dimensions:



### S = stem length


Dial size	ØD1	ØD2	L1	L2
63	68.6	61.6	42.5	21.5
100	109.0	98.5	49.0	23.5
115	126.5	114.5	49.0	23.5
150	166.0	152.0	49.0	25.0

### Minimum sensing length for stem

Range °C	6.3mm	8mm	10mm	12mm
50	130	85	60	50
60	110	70	50	50
80	85	55	50	50
100	70	50	50	50
120	60	50	50	50
150	50	50	50	50
160	95	65	50	50
180	90	60	50	50
200	75	55	50	50
250	65	50	50	50
300	55	50	50	50
400+	50	50	50	50

# Product data sheet

 [sales@brannan.co.uk](mailto:sales@brannan.co.uk)

 +44 (0)1946 816600

 [brannan.co.uk](http://brannan.co.uk)

## Product numbers:

All BT040 dials are ordered to specific customer specifications. Please use below matrix to create your unique ordering product reference, using the values in bold.

Make	Model	Dial dia.	Range		Units	Stem length	Stem dia.	Connection size/type	Filling	Connection orientation	Extras			
Brannan (BRN)	BT040 (BT40)	63mm (63)	°C:	°F:	°C outer / °F inner (CF)	63mm to 1000mm	6.3mm (6)	Plain stem (0)	Dry - no filling (D)	Bottom (BO)	Laminated safety glass (LG)			
			-50+150	-60+300				Fixed 1/2" BSP (7)						
			-50+100	-60+212				Fixed 1/2" NPT (8)						
			100mm (100)	-40+40				-40+100				°F outer / °C inner (FC)	8mm (8)	Fixed 3/8" BSP (5)
				-40+60				-40+140						Fixed 3/8" NPT (6)
			115mm (115)	-40+160				-40+320				°C only (C)	10mm (10)	Fixed 1/4" BSP (3)
		-30+50		-20+120	Fixed 1/4" NPT (4)									
		150mm (150)	-30+70	-20+160	°F only (F)	12mm (12)	Fixed 1/4" BSPT (10)							
			-20+40	+0+100			Fixed 1/4" BSPT (11)							
			-20+60	+0+140			Fixed 1/2" BSPT (12)							
			-20+180	+0+350			Sliding union 1/2" BSP (S7)							
			-10+50	+10+120			Sliding union 1/2" NPT (S8)							
			-10+110	+10+230			Sliding union 3/8" BSP (S5)							
			0+50	+32+120			Sliding union 3/8" NPT (S6)							
			0+60	+32+140			Sliding union 1/4" BSP (S3)							
			0+80	+32+180			Sliding union 1/4" NPT (S4)							
			0+100	+32+212			Sliding union 1/4" BSPT (S10)							
			0+120	+32+250			Sliding union 3/8" BSPT (S11)							
			0+150	+32+300			Sliding union 1/2" BSPT (S12)							
			0+160	+32+320										
			0+200	+32+400										
			0+250	+32+500										
			0+300	+32+570										
			0+400	+32+750										
0+450	+32+840													
0+500	+32+930													
0+550	+32+1000													
0+600	+32+1110													

NB. Others available on request

\* Not for bottom entry. Max range up to 300°C. Max ambient temp 60°C

NB. When more than one extra is required, please separate each code with a comma when building your product reference

## Order example:

Make	Model	Dial dia.	Range	Units	Stem length	Stem dia.	Connection size/type	Filling	Connection orientation	Extras
BRN	BT40	100	-50+150	CF	200	10	7	S	AD	LG,TW316L

Product reference: BRNBT40/100/-50+150/CF/200/10/7/S/AD/LG,TW316L