

Product data sheet

✉ sales@brannan.co.uk

☎ +44 (0)1946 816600

🌐 brannan.co.uk

PG050 - PHENOLIC PRESSURE GAUGE



Product features:

- SS316, SS316L or Monel wetted parts
- Solid front case with blowout back
- Built in back flange
- Reinforced thermoplastic case
- High level of operator safety
- Durable and corrosion resistant case
- Micro adjustable pointer
- **Brannan** quality and accuracy
- Dry or liquid filled
- For harsh and corrosive environments

Applications:

- Chemical
- Petrochemicals
- Power stations
- Oil & gas

Product specifications:

Dial diameters	115mm
Design	ASME B40.100
Safety category	S3 safety pattern gauge with baffle wall
Accuracy class	0.5% (Grade 2a)
Ranges	-1 to 9 bar & psi through to 0 to 2500 bar & psi
Case	Phenolic
Case design	Solid front case with blowout back and built in back flange
Process connection	1/4", 3/8" & 1/2" BSP/NPT/BSPT (others available on request)
Connection orientation	Bottom
Connection material	SS 316, SS 316L or Monel
Measuring principle	Bourdon Tube - SS 316, SS 316L or Monel
Movement	Stainless steel 304
Window	Tempered safety glass (laminated safety glass optional)
Pointer	Black aluminium and micro adjustable pointer
Filling	Dry, glycerine, silicone or halocarbon
Working pressure	Steady: 75% full scale range Fluctuating: 60% full scale range Short time: full scale range
Operating temperature	Ambient: -40 to +60°C Medium: -40 to +100°C
Storage temperature	-40 to +60°C
Temperature effect	When temperature of the pressure element deviates from reference temperature of 20°C the maximum additional error is +/-0.4 per 10°C of the span rising and falling
Ingress protection	IP 65
Calibration	UKAS certification, certificate traceable to recognised national standard or statement of conformity, if required

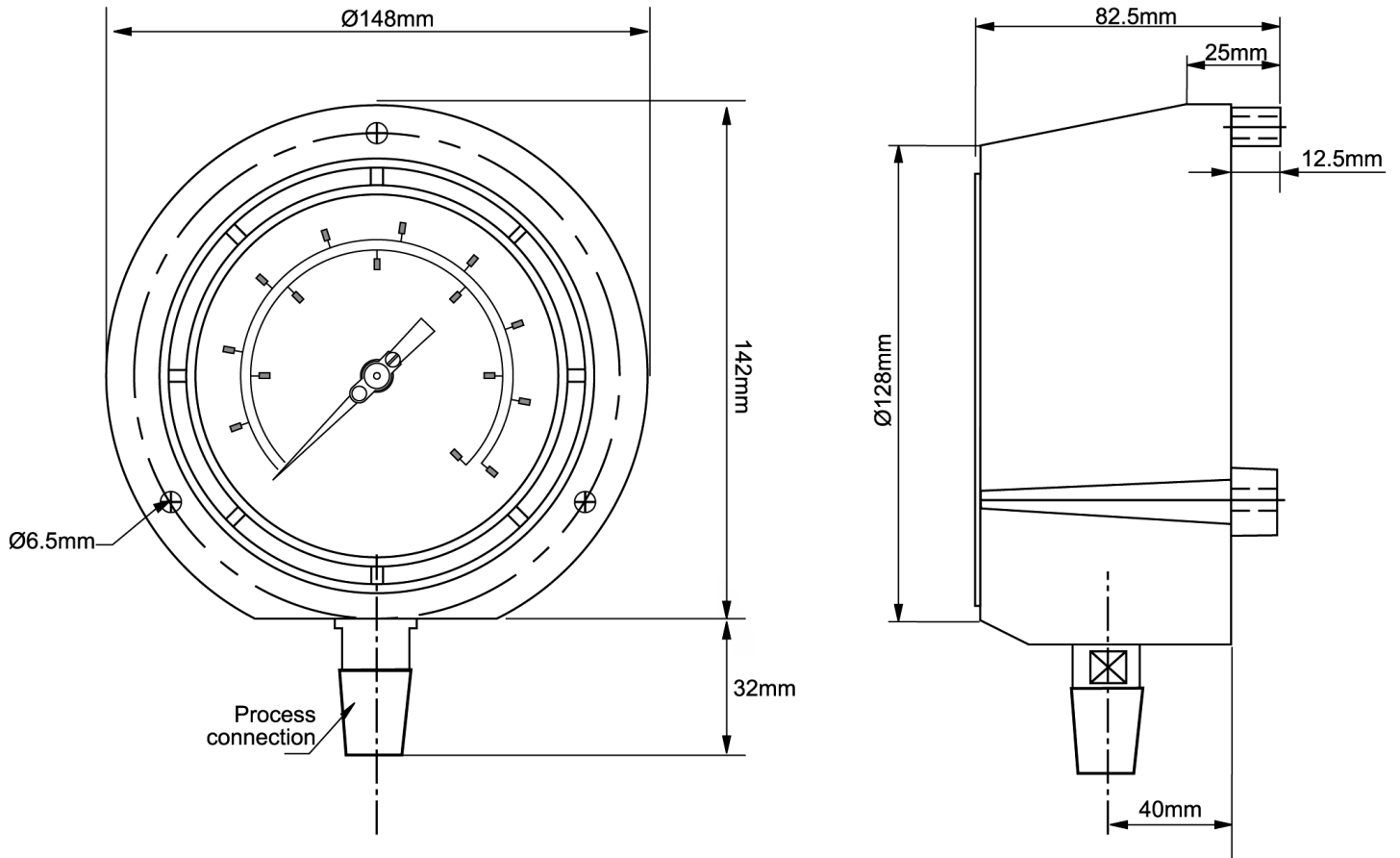
Product data sheet

✉ sales@brannan.co.uk

☎ +44 (0)1946 816600

🌐 brannan.co.uk

Product dimensions:



Product data sheet

Product numbers:

All PG050 dials are ordered to specific customer specifications. Please use below matrix to create your unique ordering product reference, using the values in bold.

Make	Model	Dial diameter	Ranges	Units	Wetted parts	Connection size	Connection orientation	Filling	Extras
Brannan (BRN)	PG050 (PG50)	115mm (115)	-1 to 9 bar (-1+9) -30 to 130 Hg/Psi (-30+130) through to 0 to 2500 bar (0+2500) 0 to 36200 Psi (0+36200)	Bar only (black) (B) Psi only (black) (P) Bar outer (black) / psi inner (red) (BP) Psi outer (red) / bar inner (black) (PB) kPa outer (black) / Psi inner (red) (KP) Psi outer (red) / kPa inner (black) (PK)	SS 316 (SS316) SS 316L (SS316L) Monel (MON)	1/4" BSP (3) 1/4" NPT (4) 3/8" BSP (5) 3/8" NPT (6) 1/2" BSP (7) 1/2" NPT (8) 1/4" BSPT (10) 3/8" BSPT (11) 1/2" BSPT (12)	Bottom (BO)	Dry no filling (D) Glycerine (G) Silicone (S) Halocarbon (H)	Materials Test Certificate (MTC)
				NB. Other units available on request		NB. Other units available on request			

Order example:

Make	Model	Dial diameter	Ranges	Units	Wetted parts	Connection size	Connection orientation	Filling	Extras
BRN	PG50	115	0+10	B	MON	7	BO	D	MTC

Product reference: BRNPG50/115/0+10/B/MON//7/BO/D/MTC

Calibration product numbers:

Calibration	No of points	Product number
UKAS	5pt	49/075/0
Traceable to National Standards	5pt	49/060/0

Other calibration types available on request

View me on the website

