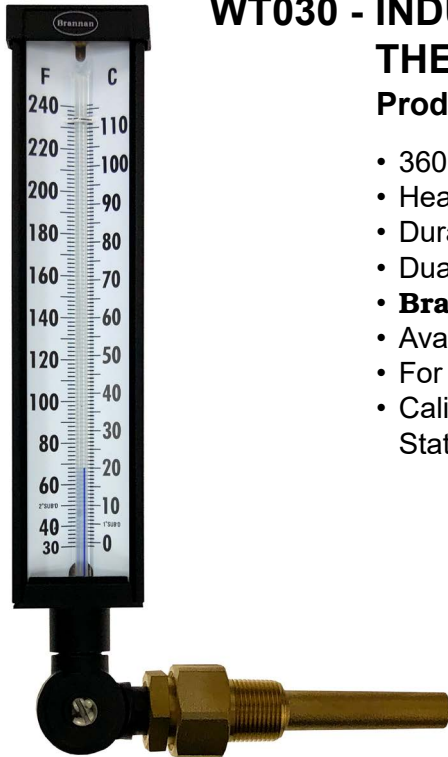


Product data sheet

✉ sales@brannan.co.uk

☎ +44 (0)1946 816600

🌐 brannan.co.uk



WT030 - INDUSTRIAL LIQUID-IN-GLASS ADJUSTABLE ANGLE THERMOMETERS

Product features:

- 360 degree rotation case for easy installation and reading
- Heavy duty protective case with glass tube thermometer
- Durable and reliable – no moving parts
- Dual scale
- **Brannan** quality and accuracy
- Available with 90mm or 150mm stem length
- For hot water and chilled water systems
- Calibration traceable to National Standards or Statement of Conformity available, if required

Standard product specifications:

Case	200mm or 250mm aluminium
Design	ASME B40.200
Tube	Triangle tube with blue liquid filling
Window	Glass
Form	Variable angle
Connection	200mm case: 1/2" NPT / 250mm case: 3/4" NPT
Stem	200mm case: 63mm / 250mm case: x 90mm or 150mm stem
Pocket	Brass
Ranges	-40 to +110°F&C through to +50 to +400°F&C
Accuracy	+/- 1%*
Protection	IP54

* +/- 1% between 30°F and 240°F, otherwise +/-2%

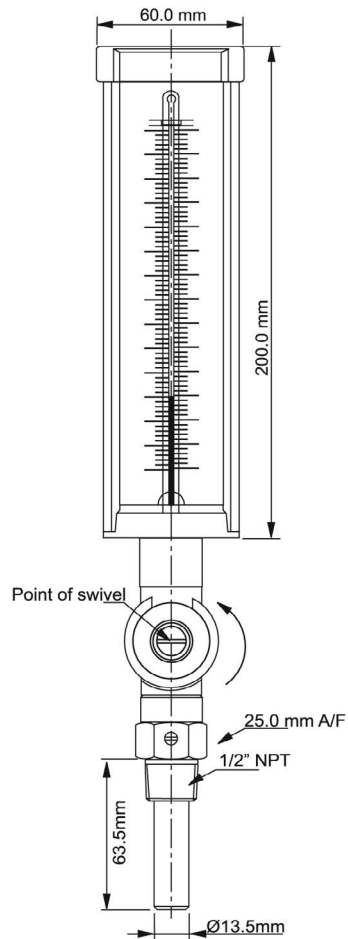
Product data sheet

✉ sales@brannan.co.uk

☎ [+44 \(0\)1946 816600](tel:+44(0)1946816600)

🌐 brannan.co.uk

Dimensions - 200mm case:



Please enquire with our sales team for information regarding this product

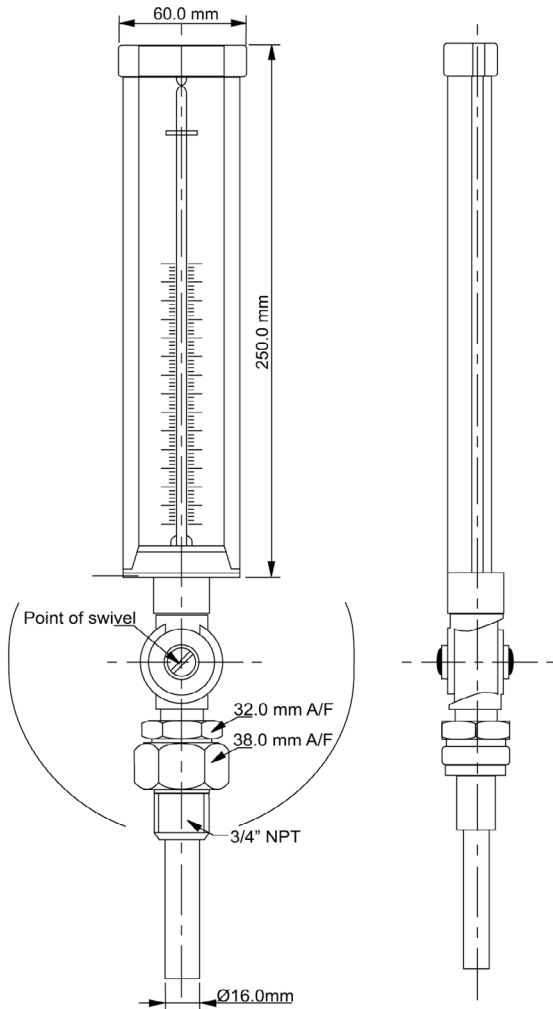
Product data sheet

✉ sales@brannan.co.uk

☎ +44 (0)1946 816600

🌐 brannan.co.uk

Dimensions - 250mm case:



Packaging details - 90mm stem:

	90mm stem
Box dimensions	475 x 78 x 46mm
Thermometer weight	737.5g
Box weight	70g
Protective bubble weight	7.5g
Total weight	814g

Packaging details - 150mm stem:

	150mm stem
Box dimensions	545 x 78 x 46mm
Thermometer weight	859.5
Box weight	75g
Protective bubble weight	78g
Total weight	942.5g

Standard product numbers - 90mm stem:

Range	Standard pocket Product no	25mm Lagging ext. Product no
-40 to 110°F&C	200/501/0	200/501/1
0 to 160°F&C	200/506/0	200/506/1
30 to 180°F&C	200/502/0	200/502/1
30 to 240°F&C	200/503/0	200/503/1
30 to 300°F&C	200/504/0	200/504/1
50 to 400°F&C	200/505/0	200/505/1

Standard product numbers - 150mm stem:

Range	Standard pocket Product no	63mm Lagging ext. Product no
-40 to 110°F&C	200/601/0	200/601/1
0 to 160°F&C	200/606/0	200/606/1
30 to 180°F&C	200/602/0	200/602/1
30 to 240°F&C	200/603/0	200/603/1
30 to 300°F&C	200/604/0	200/604/1
50 to 400°F&C	200/605/0	200/605/1

View me on the website →

