

Product data sheet

✉ sales@brannan.co.uk

☎ +44 (0)1946 816600

🌐 brannan.co.uk

PG040 - FULLY STAINLESS STEEL PRESSURE GAUGE



Product features:

- Stainless steel 316/316L/Monel wetted parts for corrosive pressure media
- 1% accuracy (0.5% optional)
- Connection and case welded
- Ingress Protection IP 67
- Silicone, glycerine or halocarbon filling available
- Wide choice of pressure ranges
- **Brannan** quality and accuracy
- For harsh and corrosive environments and pressure media
- Range of associated accessories available

Applications:

- Chemical/petrochemicals
- Heating, ventilation, air-conditioning
- Pulp and paper industry
- Pumps, compressors, hydraulic presses
- Pneumatics
- Outdoor installations
- Oil & Gas
- Food and beverage industry
- Machine and apparatus construction
- High humidity installations
- Hydraulics

Standard product specifications:

Dial diameters	63mm, 100mm, 115mm & 150mm
Design	BS EN 837
Safety category	63mm: 0 (no blow-out device), 100mm, 115mm & 150mm: S1 (blow-out device gauge)
Accuracy class	63mm: 1.6%, 100mm, 115mm & 150mm: 1.0% (0.5% optional)
Ranges	-1 to 24 bar & psi through to 0 to 2500 bar & psi
Case	Stainless steel 304
Process connection	1/8", 1/4", 3/8" & 1/2" BSP/NPT/BSPT (others available on request)
Connection orientation	Bottom, lower back or centre back
Connection material	Stainless steel 316 welded to case (optional SS 316L or Monel)
Bezel	Stainless steel 304 bayonet bezel
Measuring principle	Bourdon tube stainless steel 316 (optional SS 316L or Monel)
Movement	Stainless steel 304
Window	Tempered safety glass (laminated safety glass optional)
Pointer	Black aluminium and micro adjustable pointer
Filling	Dry, glycerine, silicone or halocarbon
Working pressure	Steady: 75% full scale range Fluctuating: 60% full scale range Short time: full scale range
Operating temperature	Ambient: -40 to +60°C Medium: -40 to +200°C, liquid filled: -20 to +100°C
Storage temperature	-40 to +60°C
Temperature effect	When temperature of the pressure element deviates from reference temperature of 20°C the maximum additional error is +/-0.4 per 10°C of the span rising and falling
Ingress protection	IP 67
Calibration	UKAS certification, certificate traceable to recognised national standard or statement of conformity, if required

Product data sheet

✉ sales@brannan.co.uk

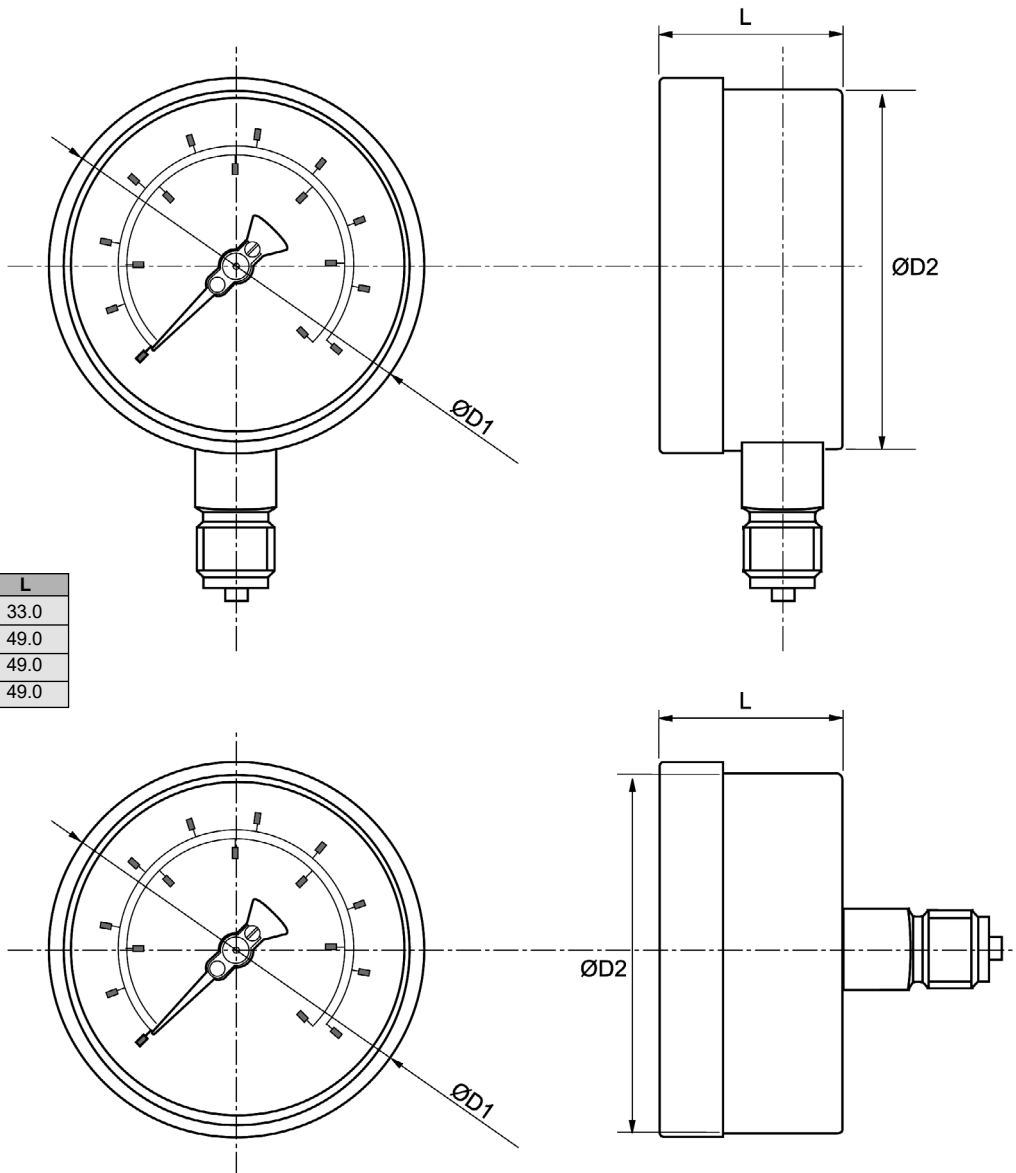
☎ +44 (0)1946 816600

🌐 brannan.co.uk

Max working pressure per connection type:

For SS 316 material	
Thread	Max pressure
1/8" BSP/NPT	400 bar
1/4" BSP/NPT	1000 bar
3/8" BSP	1000 bar
1/2" BSP	1600 bar
1/2" NPT	1000 bar
9/16-18 UNF-2B (F)	2500 bar


Dimensions:



Dial size	ØD1	ØD2	L
63	68.6	61.6	33.0
100	109.0	98.5	49.0
115	127.0	114.5	49.0
150	166.0	152.0	49.0

Product data sheet

 sales@brannan.co.uk

 +44 (0)1946 816600

 brannan.co.uk

Product numbers:

The following PG040 pressure gauges are usually kept in stock at Brannan and can therefore be ordered on the below numbers. These products are psi dominant, psi outer scale - red, bar inner scale - black, dry or glycerine filled, Ø100mm, Ø115mm and Ø150mm.

Range psi & bar	1/2" BSP bottom connection					
	Ø100mm		Ø115mm		Ø150mm	
	Dry	Gly. filled	Dry	Gly. filled	Dry	Gly. filled
0 to 160	35/405/1	35/405/5	35/435/1	35/435/5	35/465/1	35/465/5
0 to 230	35/406/1	35/406/5	35/436/1	35/436/5	35/466/1	35/466/5
0 to 300	35/407/1	35/407/5	35/437/1	35/437/5	35/467/1	35/467/5

Other PG040 dials are ordered to specific customer specifications. Please use matrix below to create your unique ordering product reference.

Make	Model	Dial diameter	Ranges	Units	Connection size	Connection orientation	Filling	Extras
Brannan (BRN)	PG040 (PG40)	63mm (63)	-1 to 24 bar (-1+24)	Bar only (black) (B)	1/8" BSP ₁ (1) 1/8" NPT ₁ (2)	Bottom (BO)	Dry - no filling (D)	Laminated safety glass window (LG)
		100mm (100)	-30 to 350 Hg/Psi (-30+350)	Psi only (black) (P)	1/4" BSP ₁ (3) 1/4" NPT ₁ (4)	Centre back (CB)	Glycerine (G)	Front flange (FF)
		115mm (115)	through to	Bar outer (black) / psi inner (red) (BP)	3/8" BSP ₂ (5) 3/8" NPT ₂ (6)	Lower back (LB) ₁	Silicone (S)	Back flange (BF)
		150mm (150)	0 to 2500 bar (0+2500)	Psi outer (red) / bar inner (black) (PB)	1/2" BSP ₂ (7) 1/2" NPT ₂ (8)		Halocarbon (H)	U clamp (UCL)
			0 to 36250 Psi (0+36250)	kPa outer (black) / Psi inner (red) (KP)	1/8" BSPT ₁ (9) 1/4" BSPT ₁ (10) 3/8" BSPT ₂ (11) 1/2" BSPT ₂ (12)			316L wetted parts (316L)
				Psi outer (red) / kPa inner (black) (PK)				Monel wetted parts (MON)
							0.5% accuracy (0.5%)	
								Materials test certificate (MTC)
								NB. When more than one extra is required, please separate each code with a comma when building your product reference

Order example:

Make	Model	Dial diameter	Ranges	Units	Connection size	Connection orientation	Filling	Extras
BRN	PG40	100	0+10	B	7	BO	D	LG,FF

Product reference: BRNPG40/100/0+10/B/7/BO/D/LG,FF

Calibration product numbers:

Other calibration types available on request

Calibration	No of points	Product number
UKAS	5pt	49/075/0
Traceable to National Standards	5pt	49/060/0