

# Product data sheet

✉ [sales@brannan.co.uk](mailto:sales@brannan.co.uk)

☎ +44 (0)1946 816600

🌐 [brannan.co.uk](http://brannan.co.uk)

## MT010 - EXHAUST GAS THERMOMETERS



### Product features:

- Silicone oil filled exhaust gas thermometer
- Vibration resistant due to high viscosity silicone oil
- Stainless steel sliding union available on request to customer choice of connection
- Wide choice of temperature ranges and stem lengths
- **Brannan** quality and accuracy
- Silicone oil protects against vibration using to ensure the maximum life under the most severe conditions
- Stainless steel pockets can be supplied as extra to customer specifications (please enquire for details)

### Applications:

- Marine
- Diesel power generation

### Standard product specifications:

Dial diameter	100mm
Accuracy	+/- 1.5%
Ranges	0°C to 650°C
Case	Black painted die-case aluminium
Stem length	Min: 100mm / Max: 630mm
Stem diameter	10mm, 12mm, 13mm or 16mm
Process connection	3/8", 1/2" or 3/4" BSP/NPT/BSPT sliding union
Connection orientation	Bottom
Connection material	Stainless steel 304
Stem material	Stainless steel 304
Measuring principle	Gas actuated
Window	Glass
Pointer	Black aluminium
Filling	Silicone (or dry)
Ingress protection	IP 67

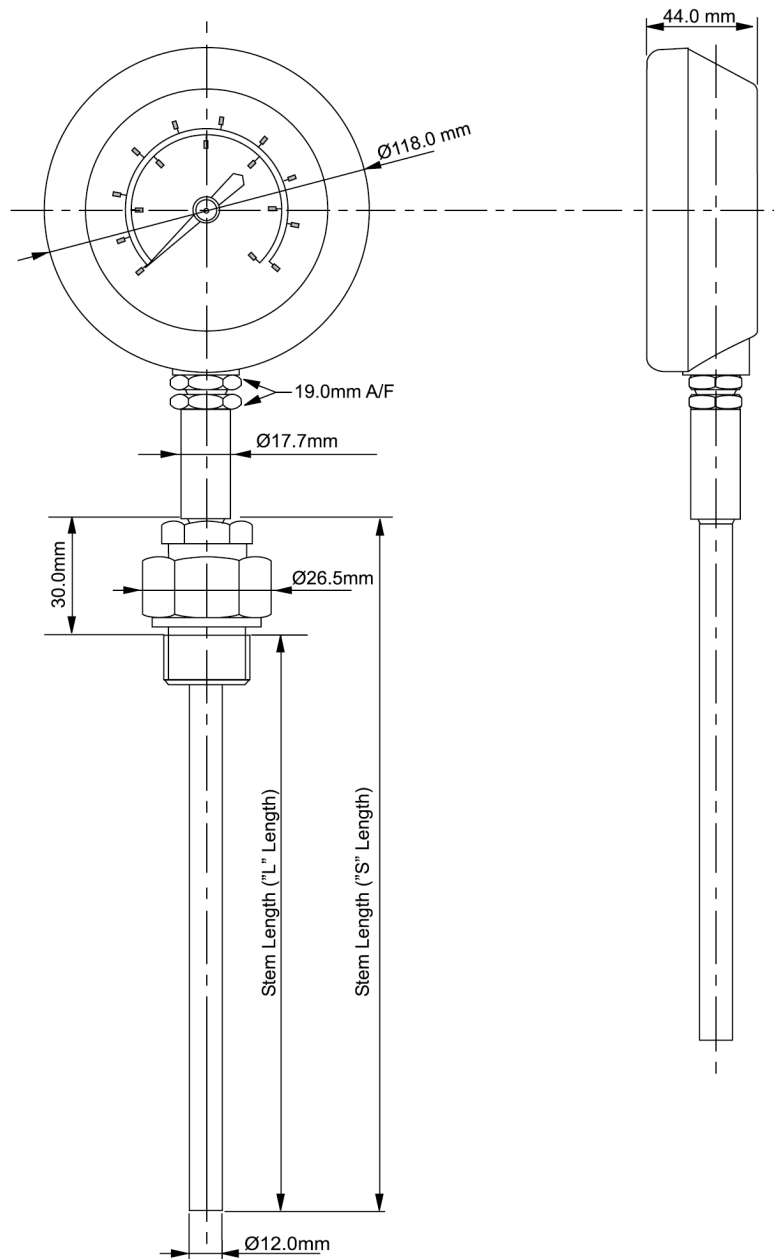
# Product data sheet

✉ [sales@brannan.co.uk](mailto:sales@brannan.co.uk)

☎ +44 (0)1946 816600

🌐 [brannan.co.uk](http://brannan.co.uk)

## Product dimensions:



## Weights and packaging dimensions:

(without sliding union)

Stem length (L)	Net weight	Box weight	Bubble weight	Gross weight	Gross (box) dimensions
100mm	851.0g	81.5g	2.0g	934.5g	307 x 113 x 68mm
150mm	882.0g	82.0g	2.0g	966.0g	405 x 115 x 69mm
200mm	897.0g	82.0g	2.0g	979.0g	405 x 115 x 69mm
250mm	894.5g	122.0g	2.0g	1018.0g	510 x 145 x 63mm
300mm	927.5g	122.0g	2.0g	1063.0g	510 x 145 x 63mm

Measurement for life.



