

Product data sheet

✉ sales@brannan.co.uk

☎ +44 (0)1946 816600

🌐 brannan.co.uk

BT050 - CLIP ON PIPE THERMOMETERS



Features:

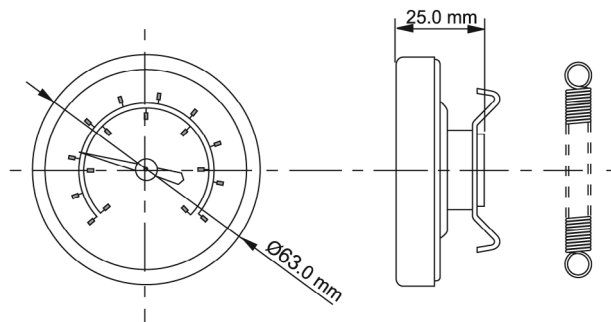
- Thermometer with spring for attaching to pipe
- Measures temperature inside pipe
- Low price and easy installation
- Suitable for pipe diameters from 20mm to 50mm
- **Brannan** quality and accuracy
- Available with or without bezel
- For hot and chilled water pipes

Standard product specifications:

Dial diameters	63mm
Design	BS EN 13190
Accuracy	+/-4°C
Ranges	-40 to +40°C&F through to 0 to +200°C&F
Case	See below
Window	Plastic (33/402/0 & 33/501/0 - glass)
Pointer	Black plastic
Filling	Dry
Sensor mechanism	Standard bimetal coil



Dimensions:



Standard product numbers:

Case material	Net weight	Range	Barcode	Product no
Plastic with bezel	62g	0 to +120°C&F	5 011405 334015	33/401/0
	62g	0 to +200°C&F	5 011405 334022	33/402/0
Plastic - no bezel	56g	0 to +120°C&F	5 011405 334046	33/404/0
Metal with bezel	94g	-40 to +40°C&F	5 011405 334039	33/403/0
	77g	0 to +120°C&F	5 011405 335012	33/501/0

View me on the website



The product is designed to be placed on the external surface of a pipe but measure temperature inside the pipe. Because of this we apply an adjustment to ensure the temperature reading closely reflects the inside temperature. Due to the above it is not recommended to have the instrument calibrated by a calibration laboratory.