

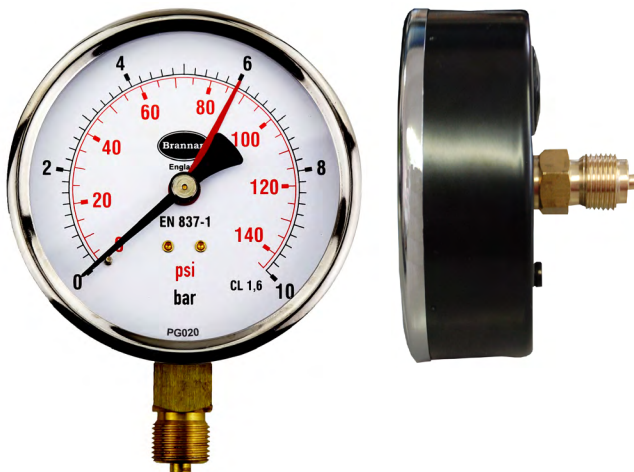
Product data sheet

✉ sales@brannan.co.uk

☎ +44 (0)1946 816600

🌐 brannan.co.uk

PG020 - BLACK CASE PRESSURE GAUGE WITH BEZEL



Product features:

- Pressure gauge with stainless steel bezel
- Adjustable loose red pointer
- **Brannan** quality and accuracy
- Wide choice of pressure ranges (also available in metres and feet ranges)
- For dry indoor installations
- Wide range of associated accessories available

Applications:

- Heating, ventilation, air-conditioning
- Plumbing
- Compressors
- Air filters
- Pneumatics

Standard product specifications:

Dial diameter	100mm
Design	BS EN 837
Safety category	S1 (blow-out device gauge)
Accuracy class	1.6 (Class 1.0 available on request)
Ranges	-1 to 9 bar & psi through to 0 to 700 bar & psi
Case	Black steel
Process connection	3/8" & 1/2" BSP/NPT/BSPT (others available on request)
Connection orientation	Bottom and centre back
Connection material	Brass
Bezel	Stainless steel - rolled
Measuring principle	Bourdon tube Cu-Alloy
Movement	Cu-Alloy
Window	Acrylic, snap fit
Pointer	Black aluminium and loose red pointers
Filling	Dry
Working pressure	Steady: 75% full scale range Fluctuating: 60% full scale range Short time: full scale range
Operating temperature	Ambient: -20 to +60°C Medium: -20 to +60°C
Storage temperature	-40 to +60°C
Temperature effect	When temperature of the pressure element deviates from reference temperature of 20°C the maximum additional error is +/-0.4 per 10°C of the span rising and falling
Protection	IP 43 (BS EN 60529:1992)
Calibration	UKAS certification, certificate traceable to recognised national standard or statement of conformity, if required

Product data sheet

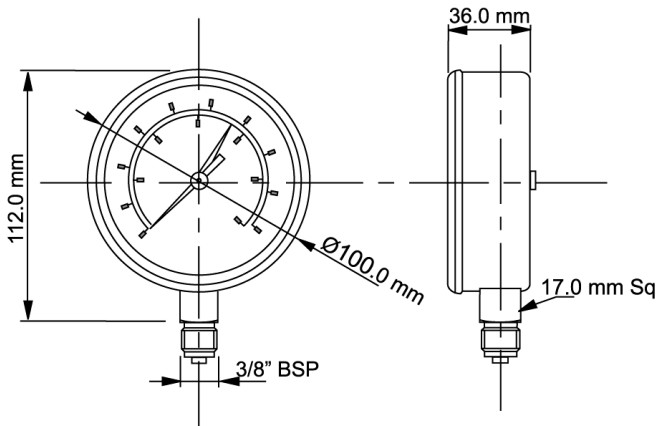
✉ sales@brannan.co.uk

☎ +44 (0)1946 816600

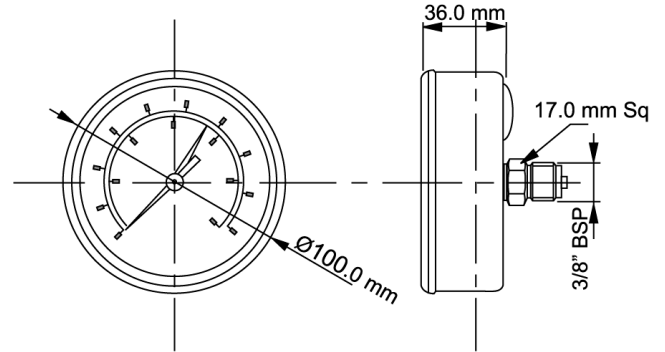
🌐 brannan.co.uk

Product dimensions:

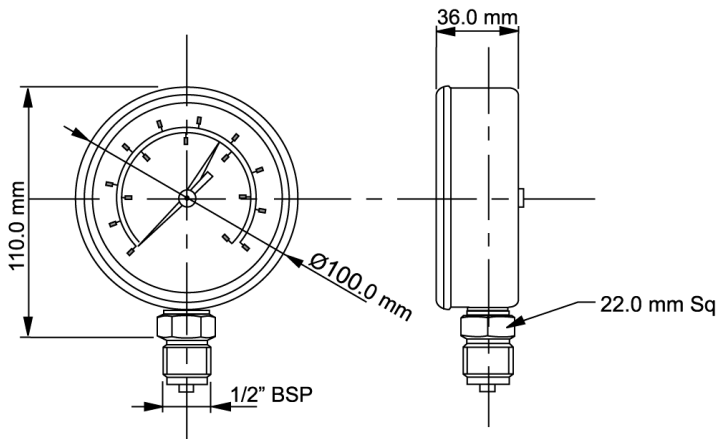
100mm dial pressure gauge 3/8" BSP - bottom entry



100mm dial pressure gauge 3/8" BSP - back entry



100mm dial pressure gauge 1/2" BSP - bottom entry



Product data sheet

Product numbers:

The following products are usually kept in stock at Brannan and can therefore be ordered on the below numbers:

100mm dial pressure gauge (bar outer, psi inner)

Range (bar dominant)	Bottom connection			Back connection
	3/8" BSP	1/2" BSP	1/2" NPT	3/8" BSP
0 to 1 bar & psi	34/651/0	34/651/1	-	34/741/0
0 to 2.5 bar & psi	34/652/0	34/652/1	-	34/742/0
0 to 4 bar & psi	34/653/0	34/653/1	-	34/743/0
0 to 6 bar & psi	34/654/0	34/654/1	-	34/744/0
0 to 10 bar & psi	34/655/0	34/655/1	34/655/3	34/745/0
0 to 16 bar & psi	34/656/0	34/656/1	34/656/3	34/746/0
0 to 20 bar & psi	-	34/647/1	-	-
0 to 25 bar & psi	34/657/0	34/657/1	34/657/3	34/747/0
0 to 40 bar & psi	34/658/0	34/658/1	-	-

100mm dial pressure gauge (psi outer, bar inner)

Range (psi dominant)	Bottom connection		
	3/8" BSP	1/2" BSP	1/2" NPT
0 to 160 psi & bar	-	35/205/1	-
0 to 230 psi & bar	-	35/206/1	-
0 to 300 psi & bar	-	35/207/1	-

Other PG020 dials are ordered to specific customer specifications.

Please use below matrix to create your unique ordering product reference, using the values in bold.

Make	Model	Dial diameter	Range	Units	Connection size	Connection orientation	Extras
Brannan (BRN)	PG020 (PG20)	100mm (100)	-1 to 9 bar (-1+9) -30 to 130 Hg/Psi (-30+130) through to 0 to 700 bar (0+700) 0 to 10150 Psi (0+10150)	Bar only (black) (B) Psi only (black) (P) Bar outer (black) / psi inner (red) (BP) Psi outer (red) / bar inner (black) (PB) kPa outer (black) / Psi inner (red) (KP) Psi outer (red) / kPa inner (black) (PK) <small>NB. Other units available on request</small>	3/8" BSP (5) 3/8" NPT (6) 1/2" BSP (7) 1/2" NPT (8) 3/8" BSPT (11) 1/2" BSPT (12) <small>NB. Other units available on request</small>	Bottom (BO) Centre back (CB)	Front flange (FF) Back flange (BF) No loose red pointer (NLRP)

Order example:

Make	Model	Dial diameter	Range	Units	Connection size	Connection orientation	Extras
BRN	PG20	100	0+40	BP	5	BO	

Product reference: BRNPG20/100/0+40/BP/5/BO

Product data sheet

✉ sales@brannan.co.uk

☎ [+44 \(0\)1946 816600](tel:+44(0)1946816600)

🌐 brannan.co.uk

Calibration product numbers:

Calibration	No of points	Product number
UKAS	5pt	49/075/0
Traceable to National Standards	5pt	49/060/0

Other calibration types available on request

Standard product weights:

Dial diameter	Orientation	Box dimensions	Net weight	Box weight	Total weight
100mm	Bottom	130 x 109 x 41mm	316g	27g	343g
100mm	Back	108 x 108 x 80mm	257g	42g	299g
150mm	Bottom	161 x 183 x 66mm	669g	60g	730g

View me on
the website

