

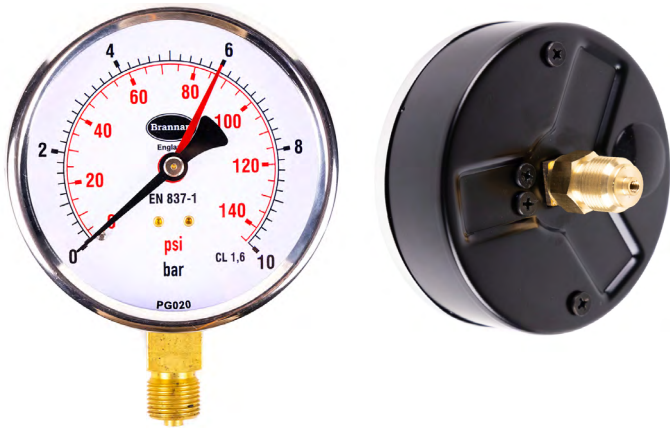
Product data sheet

✉ sales@brannan.co.uk

☎ +44 (0)1946 816600

🌐 brannan.co.uk

PG020 - BLACK CASE PRESSURE GAUGE WITH BEZEL



Product features:

- Pressure gauge with stainless steel bezel
- Adjustable loose red pointer
- **Brannan** quality and accuracy
- Wide choice of pressure ranges (also available in metres and feet ranges)
- For dry indoor installations
- Wide range of associated accessories available

Applications:

- Heating, ventilation, air-conditioning
- Plumbing
- Compressors
- Air filters
- Pneumatics

Standard product specifications:

| | |
|-------------------------------|---------------------------------------------------------------------------------------------------------------------------------------------------------------------|
| Dial diameter | 100mm |
| Design | BS EN 837 |
| Safety category | S1 (blow-out device gauge) |
| Accuracy class | 1.6 (Class 1.0 available on request) |
| Ranges | -1 to 9 bar & psi through to 0 to 700 bar & psi |
| Case | Black steel |
| Process connection | 3/8" & 1/2" BSP/NPT/BSPT (others available on request) |
| Connection orientation | Bottom and centre back |
| Connection material | Brass |
| Bezel | Stainless steel - rolled |
| Measuring principle | Bourdon tube Cu-Alloy |
| Movement | Cu-Alloy |
| Window | Acrylic, snap fit |
| Pointer | Black aluminium and loose red pointers |
| Filling | Dry |
| Working pressure | Steady: 75% full scale range Fluctuating: 60% full scale range Short time: full scale range |
| Operating temperature | Ambient: -20 to +60°C Medium: -20 to +60°C |
| Storage temperature | -40 to +60°C |
| Temperature effect | When temperature of the pressure element deviates from reference temperature of 20°C the maximum additional error is +/-0.4 per 10°C of the span rising and falling |
| Protection | IP 43 (BS EN 60529:1992) |
| Calibration | UKAS certification, certificate traceable to recognised national standard or statement of conformity, if required |

Product data sheet

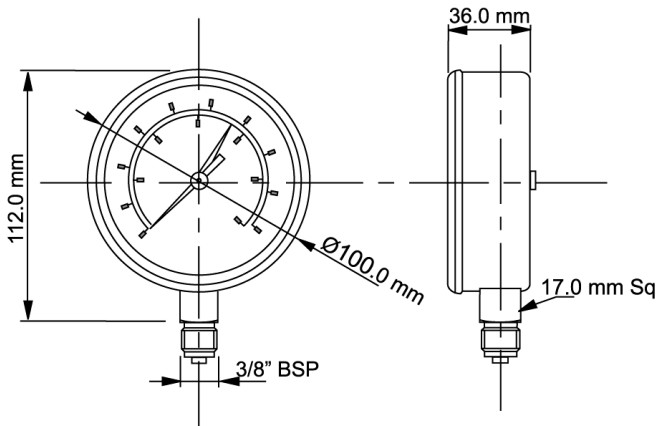
✉ sales@brannan.co.uk

☎ +44 (0)1946 816600

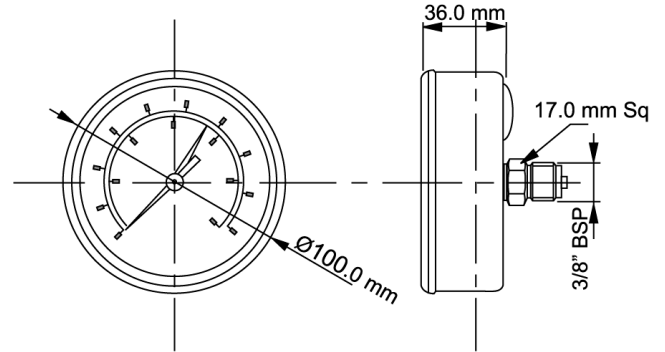
🌐 brannan.co.uk

Product dimensions:

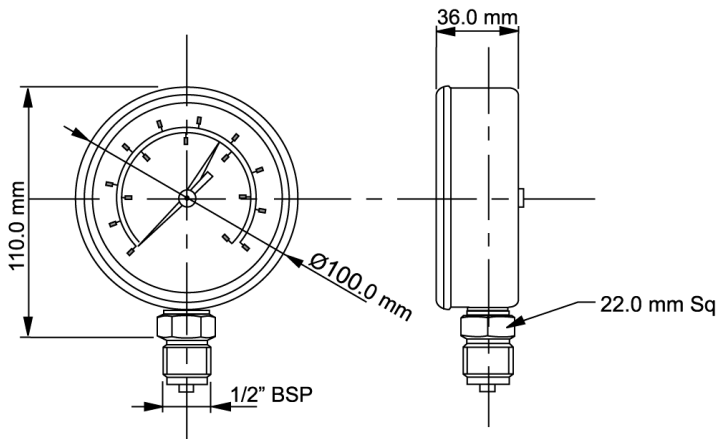
100mm dial pressure gauge 3/8" BSP - bottom entry



100mm dial pressure gauge 3/8" BSP - back entry



100mm dial pressure gauge 1/2" BSP - bottom entry



Product data sheet

Product numbers:

The following products are usually kept in stock at Brannan and can therefore be ordered on the below numbers:

100mm dial pressure gauge (bar outer, psi inner)

| Range (bar dominant) | Bottom connection | | | Back connection |
|-------------------------|-------------------|----------|----------|-----------------|
| | 3/8" BSP | 1/2" BSP | 1/2" NPT | 3/8" BSP |
| 0 to 1 bar & psi | 34/651/0 | 34/651/1 | - | 34/741/0 |
| 0 to 2.5 bar & psi | 34/652/0 | 34/652/1 | - | 34/742/0 |
| 0 to 4 bar & psi | 34/653/0 | 34/653/1 | - | 34/743/0 |
| 0 to 6 bar & psi | 34/654/0 | 34/654/1 | - | 34/744/0 |
| 0 to 10 bar & psi | 34/655/0 | 34/655/1 | 34/655/3 | 34/745/0 |
| 0 to 16 bar & psi | 34/656/0 | 34/656/1 | 34/656/3 | 34/746/0 |
| 0 to 20 bar & psi | - | 34/647/1 | - | - |
| 0 to 25 bar & psi | 34/657/0 | 34/657/1 | 34/657/3 | 34/747/0 |
| 0 to 40 bar & psi | 34/658/0 | 34/658/1 | - | - |

100mm dial pressure gauge (psi outer, bar inner)

| Range (psi dominant) | Bottom connection | | |
|-------------------------|-------------------|----------|----------|
| | 3/8" BSP | 1/2" BSP | 1/2" NPT |
| 0 to 160 psi & bar | - | 35/205/1 | - |
| 0 to 230 psi & bar | - | 35/206/1 | - |
| 0 to 300 psi & bar | - | 35/207/1 | - |

Other PG020 dials are ordered to specific customer specifications.

Please use below matrix to create your unique ordering product reference, using the values in bold.

| Make | Model | Dial diameter | Range | Units | Connection size | Connection orientation | Extras |
|------------------|-----------------|----------------|---------------------------------------------------------------------------------------------------------------------------------|-------------------------------------------------------------------------------------------------------------------------------------------------------------------------------------------------------------------------------------------------------------------------------------|---------------------------------------------------------------------------------------------------------------------------------------------|---------------------------------|----------------------------------------------------------------------|
| Brannan (BRN) | PG020 (PG20) | 100mm (100) | -1 to 9 bar (-1+9) -30 to 130 Hg/Psi (-30+130) through to 0 to 700 bar (0+700) 0 to 10150 Psi (0+10150) | Bar only (black) (B) Psi only (black) (P) Bar outer (black) / psi inner (red) (BP) Psi outer (red) / bar inner (black) (PB) kPa outer (black) / Psi inner (red) (KP) Psi outer (red) / kPa inner (black) (PK) NB. Other units available on request | 3/8" BSP (5) 3/8" NPT (6) 1/2" BSP (7) 1/2" NPT (8) 3/8" BSPT (11) 1/2" BSPT (12) NB. Other units available on request | Bottom (BO) Centre back (CB) | Front flange (FF) Back flange (BF) No loose red pointer (NLRP) |

Order example:

| Make | Model | Dial diameter | Range | Units | Connection size | Connection orientation | Extras |
|------|-------|---------------|-------|-------|-----------------|------------------------|--------|
| BRN | PG20 | 100 | 0+40 | BP | 5 | BO | |

Product reference: BRNPG20/100/0+40/BP/5/BO

Product data sheet

✉ sales@brannan.co.uk

☎ [+44 \(0\)1946 816600](tel:+44(0)1946816600)

🌐 brannan.co.uk

Calibration product numbers:

| Calibration | No of points | Product number |
|---------------------------------|--------------|----------------|
| UKAS | 5pt | 49/075/0 |
| Traceable to National Standards | 5pt | 49/060/0 |

Other calibration types available on request

Standard product weights:

| Dial diameter | Orientation | Box dimensions | Net weight | Box weight | Total weight |
|---------------|-------------|------------------|------------|------------|--------------|
| 100mm | Bottom | 130 x 109 x 41mm | 316g | 27g | 343g |
| 100mm | Back | 108 x 108 x 80mm | 257g | 42g | 299g |
| 150mm | Bottom | 161 x 183 x 66mm | 669g | 60g | 730g |

View me on
the website

