

# Product data sheet

✉ [sales@brannan.co.uk](mailto:sales@brannan.co.uk)

☎ +44 (0)1946 816600

🌐 [brannan.co.uk](http://brannan.co.uk)

## BT010 - BIMETAL THERMOMETERS



### Product features:

- Low price commercial thermometer
- Wide choice of temperature ranges and stem lengths
- Supplied with push-on brass pocket
- **Brannan** quality and accuracy
- For dry indoor installations
- Wide range of associated accessories available

### Applications:

- Heating
- Air conditioning
- Refrigeration
- Ventilation

### Standard product specifications:

Dial diameters	63mm
Design	BS EN 13190
Accuracy class	2 (as per BS EN 13190)
Ranges	-40 to +160°C&F
Case	Plastic
Pocket material	Brass
Pocket external diameter	12mm
Connection	1/2" brass push fit, bottom or back, BSP, NPT or BSPT
Stem length	Min: 50mm / Max: 300mm
Sensor mechanism	Bimetal coil
Window	Polycarbonate
Pointer	Black aluminium
Filling	Dry
Protection	IP 54 (BS EN 60529:1992)
Calibration	Certificate traceable to recognised national standard or statement of conformity, if required

# Product data sheet

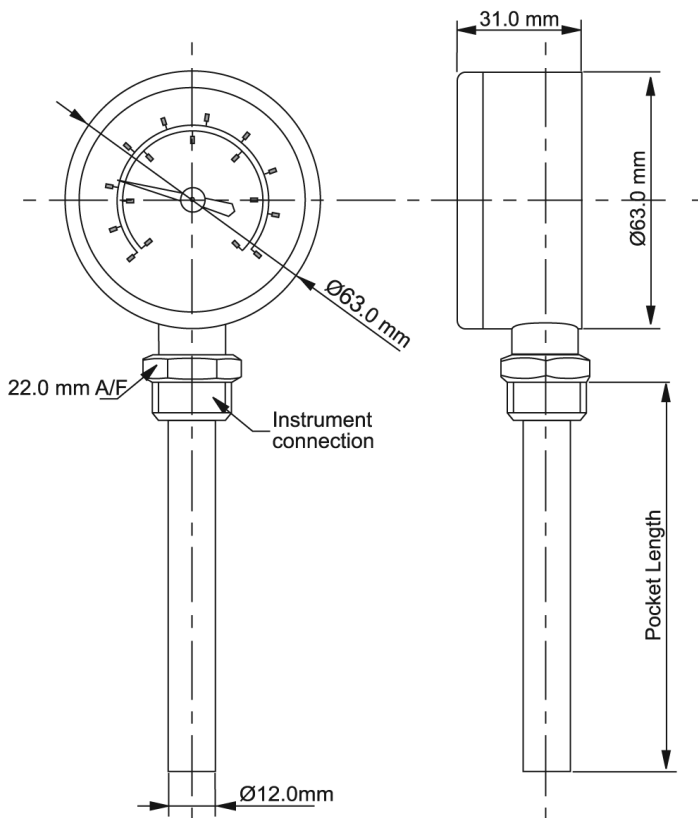
✉ [sales@brannan.co.uk](mailto:sales@brannan.co.uk)

☎ +44 (0)1946 816600

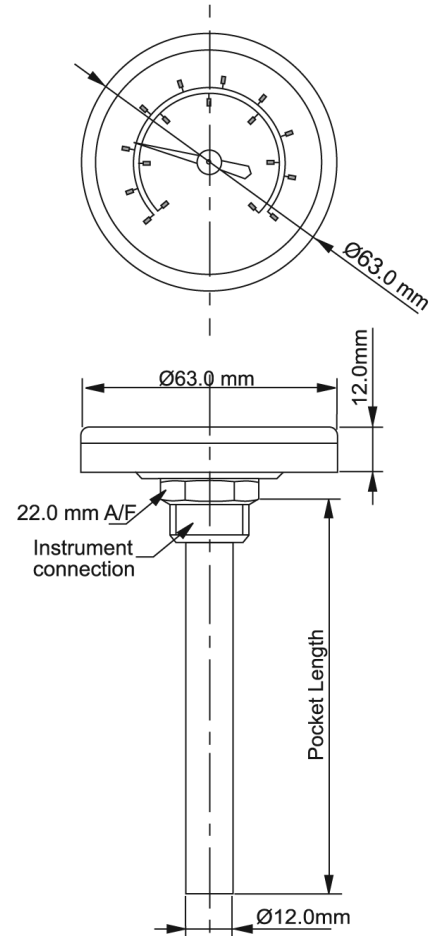
🌐 [brannan.co.uk](http://brannan.co.uk)

## Product dimensions:

BT010 dial thermometer - bottom entry



BT010 dial thermometer - back entry




## Weights and packaging dimensions:

	Ø63mm bottom connection					
	50mm Pkt	100mm Pkt	150mm Pkt	200mm Pkt	250mm Pkt	300mm Pkt
Dial net weight	140g	175g	210g	245g	280g	315g
Box weight	30g	35g	40g	45g	50g	55g
Gross weight	170g	210g	250g	290g	330g	370g
Box dimensions	70 x 70 x 135mm	70 x 70 x 190mm	70 x 70 x 240mm	70 x 70 x 280mm	70 x 70 x 350mm	70 x 70 x 380mm
	Ø63mm back connection					
	50mm Pkt	100mm Pkt	150mm Pkt	200mm Pkt	250mm Pkt	300mm Pkt
Dial net weight	110g	175g	210g	245g	280g	315g
Box weight	25g	30g	35g	40g	45g	50g
Gross weight	135g	205g	245g	285g	325g	365g
Box dimensions	70 x 70 x 75mm	70 x 70 x 135mm	70 x 70 x 190mm	70 x 70 x 240mm	70 x 70 x 280mm	70 x 70 x 350mm

# Product data sheet

 [sales@brannan.co.uk](mailto:sales@brannan.co.uk)

 +44 (0)1946 816600

 [brannan.co.uk](http://brannan.co.uk)

## Product numbers:

The following products are usually kept in stock at Brannan and can therefore be ordered on the below numbers:

### BT010 Ø63mm dial thermometers (°C outer scale - black, °F inner scale - black)

Range °C&F	1/2" BSP bottom connection		1/2" BSP back connection	
	50mm pocket	100mm pocket	50mm pocket	100mm pocket
-20 to +60°C&F	32/428/0	32/448/0	-	-
0 to +120°C&F	32/421/0	32/441/0	31/421/0	31/441/0

Other BT010 dials are ordered to specific customer specifications.

Please use below matrix to create your unique ordering product reference, using the values in bold.

Make	Model	Dial diameter	Range	Units	Pocket length (incl. thread)	Connection size/type	Connection orientation
Brannan (BRN)	BT010 (BT10)	63mm (63)	Celsius <b>-20+60</b> <b>0+120</b> <b>0+160</b>	°C outer / °F inner (CF)	50mm (50)	1/2" BSP (7)	Bottom (BO)
				°F outer / °C inner (FC)	100mm (100)	1/2" NPT (8)	Back (BK)
				°C only (C)	150mm (150)	1/2" BSPT (12)	
			Fahrenheit <b>0+140</b> <b>+30+250</b> <b>+30+320</b>	°C only (C)	200mm (200)		
				°F only (F)	250mm (250)		
					300mm (300)		
		NB. Other dial diameters available on request	NB. Other ranges available on request	NB. Other units available on request			

## Order example:

Make	Model	Dial diameter	Range	Units	Pocket length (incl. thread)	Connection size/type	Connection orientation
BRN	BT10	63	<b>-20+60</b>	<b>C</b>	<b>150</b>	<b>7</b>	<b>BO</b>

Product reference: BRNBT10/63/-20+60/C/150/7/BO

## Calibration product numbers:

Calibration	No of points	Product number
Traceable to National Standards	1pt	49/099/0
	3pt	49/101/0
	4pt	49/104/0
	5pt	49/105/0

View me on the website

