

Product data sheet

✉ sales@brannan.co.uk

☎ +44 (0)1946 816600

🌐 brannan.co.uk

PG010 - BLACK CASE PRESSURE GAUGE



Product features:

- Low price commercial pressure gauge
- **Brannan** quality and accuracy
- Wide choice of ranges and dial diameters
- For dry indoor installations
- Wide range of associated accessories available
- UKAS calibration available

Applications:

- Heating, ventilation, air-conditioning
- Plumbing
- Compressors
- Air filters
- Pneumatics

Standard product specifications:

Dial diameters	40mm, 50mm, 63mm, 80mm & 100mm
Design	BS EN 837
Safety category	100mm: S1 (blow-out device gauge). Others: 0 (no blow-out device)
Accuracy class	1.6% (40mm dia: 2.5%)
Ranges	-1 to 9 bar & psi through to 0 to 1000 bar & psi
Case	Black steel
Process connection	1/8", 1/4", 3/8" & 1/2" BSP/NPT/BSPT (others available on request)
Connection orientation	Bottom, centre back and lower back
Connection material	Brass
Bezel	Black steel (80mm & 100mm only)
Measuring principle	Bourdon tube Cu-Alloy
Movement	Cu-Alloy
Window	40mm, 50mm & 63mm: polycarbonate, snap fit 80mm & 100mm: Glass
Pointer	Black aluminium
Filling	Dry
Working pressure	Steady: 75% full scale range Fluctuating: 60% full scale range Short time: full scale range
Operating temperature	Ambient: -20 to +60°C Medium: -20 to +60°C
Storage temperature	-40 to +60°C
Temperature effect	When temperature of the pressure element deviates from reference temperature of 20°C the maximum additional error is +/-0.4 per 10°C of the span rising and falling
Protection	IP 43 (BS EN 60529:1992)
Calibration	UKAS certification, certificate traceable to recognised national standard or statement of conformity, if required

Product data sheet

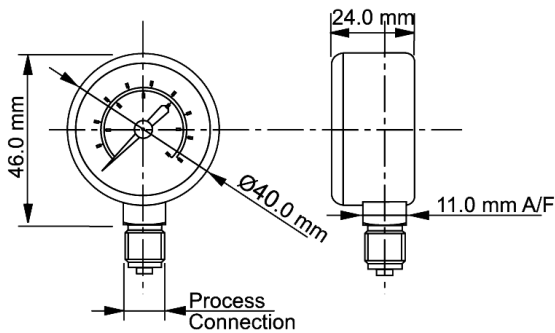
✉ sales@brannan.co.uk

☎ +44 (0)1946 816600

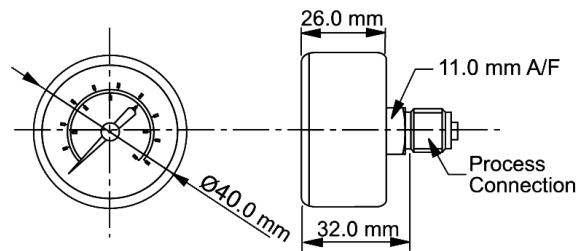
🌐 brannan.co.uk

Product dimensions:

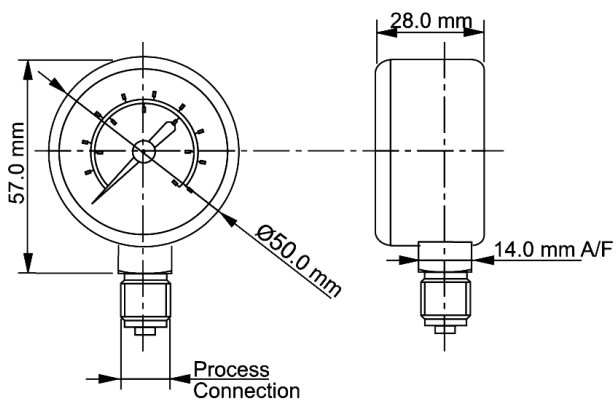
40mm dial pressure gauge - bottom entry



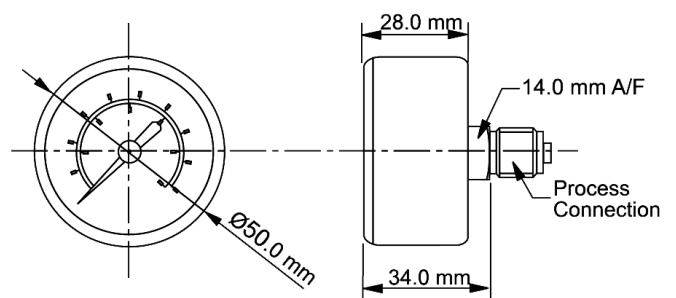
40mm dial pressure gauge - back entry



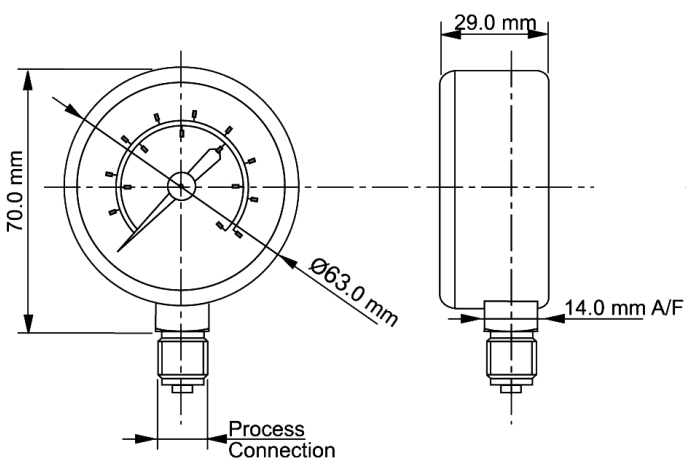
50mm dial pressure gauge - bottom entry



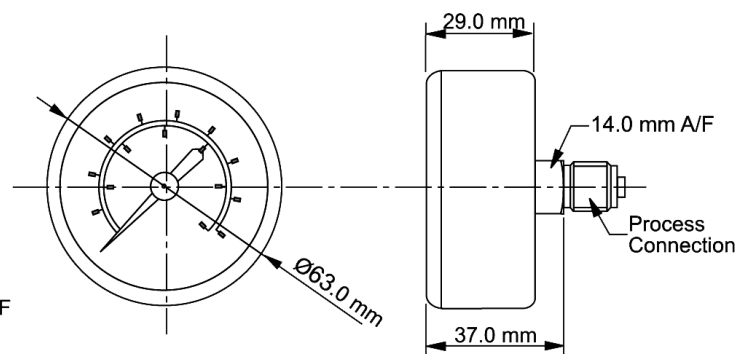
50mm dial pressure gauge - back entry



63mm dial pressure gauge - bottom entry



63mm dial pressure gauge - back entry



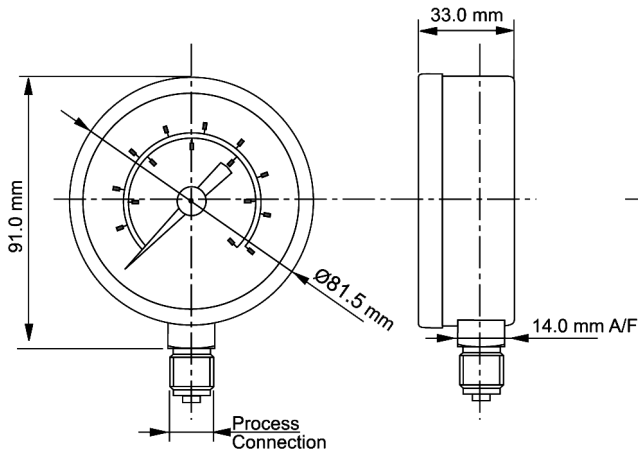
Product data sheet

✉ sales@brannan.co.uk

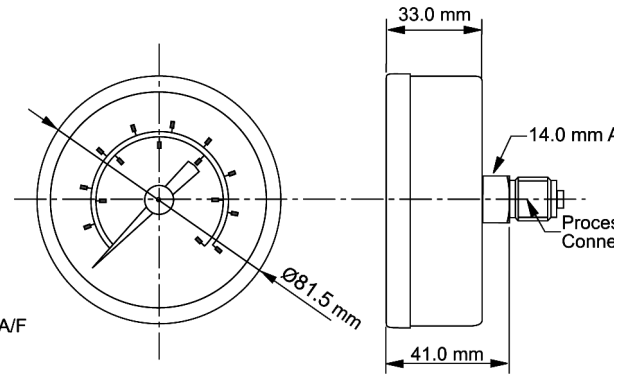
☎ +44 (0)1946 816600

🌐 brannan.co.uk

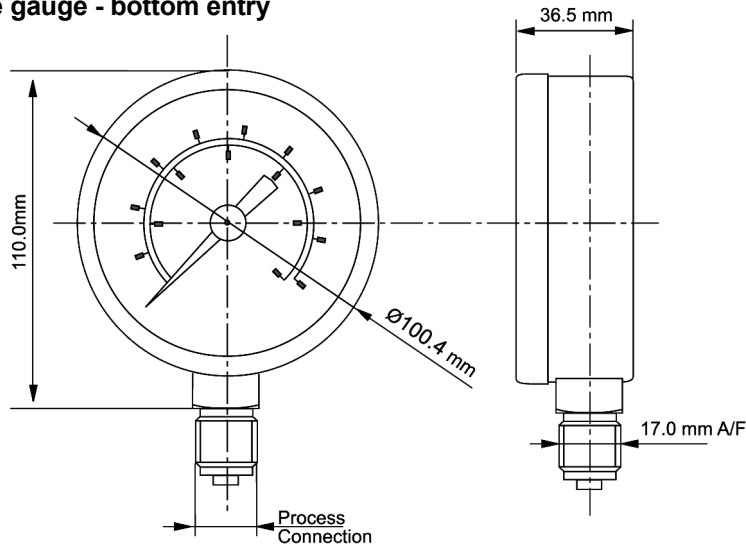
80mm dial pressure gauge - bottom entry



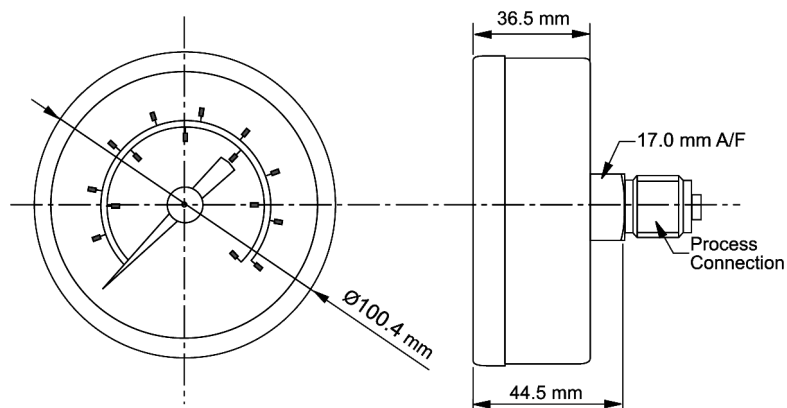
80mm dial pressure gauge - back entry



100mm dial pressure gauge - bottom entry




100mm dial pressure gauge - back entry



Product data sheet

 sales@brannan.co.uk

 +44 (0)1946 816600

 brannan.co.uk

Approx weights:

Supplied in individual box with instruction sheet.

Dial diameter	Orientation	Net weight	Box weight	Total weight
40mm	Back	50g	8g	58g
40mm	Bottom	68g	6g	74g
50mm	Back	89g	11g	100g
50mm	Bottom	80g	8g	88g
63mm	Back	118g	14g	132g
63mm	Bottom	113g	10g	123g
80mm	Back	TBC	TBC	TBC
80mm	Bottom	168g	13g	181g
100mm	Back	TBC	TBC	TBC
100mm	Bottom	305g	26g	331g

Product numbers:

The following products are usually kept in stock at Brannan and can therefore be ordered on the below numbers. Other PG010 dials are ordered to specific customer specifications. Please use below matrix overleaf to create your unique ordering product reference.

PG010 pressure gauges (bar outer scale, psi inner scale)

Range bar & PSI	40mm diameter		50mm diameter		63mm diameter	
	Bottom connection	Back connection	Bottom connection	Back connection	Bottom connection	Back connection
	1/8" BSP	1/8" BSP	1/4" BSP	1/4" BSP	1/4" BSP	1/4" BSP
0 to 1	-	-	-	-	-	34/441/0
0 to 1.6	-	-	34/122/0	34/142/0	-	34/442/0
0 to 2.5	34/023/0	-	34/123/0	34/143/0	-	34/443/0
0 to 4	34/024/0	34/044/0	34/124/0	34/144/0	34/424/0	34/444/0
0 to 6	34/025/0	34/045/0	34/125/0	34/145/0	34/425/0	34/445/0
0 to 10	34/026/0	34/046/0	34/126/0	34/146/0	34/426/0	34/446/0
0 to 16	34/027/0	34/047/0	34/127/0	34/147/0	34/427/0	34/447/0
0 to 25	34/028/0	34/048/0	34/128/0	34/148/0	34/428/0	34/448/0
0 to 40	34/029/0	34/049/0	34/129/0	34/149/0	34/429/0	34/449/0
0 to 60	-	-	-	-	-	34/480/0
0 to 100	-	-	-	-	34/461/0	-
0 to 160	-	-	-	-	34/462/0	34/482/0
0 to 250	-	-	-	-	34/463/0	34/483/0
0 to 400	-	-	-	-	34/464/0	34/484/0
-1 to 0	-	-	-	-	-	34/486/0
-1 to 3	-	-	-	-	-	34/489/0
-1 to 5	-	-	-	-	34/468/0	34/488/0
-1 to 9	-	-	-	-	34/467/0	34/487/0

Calibration product numbers:

Calibration	No of points	Product number
UKAS	5pt	49/075/0
Traceable to National Standards	5pt	49/060/0

Other calibration types available on request

Product data sheet

Other PG010 dials are ordered to specific customer specifications.

Please use below matrix to create your unique ordering product reference, using the values in bold.

Make	Model	Dial diameter	Range	Units	Connection size	Connection orientation	Extras
Brannan (BRN)	PG010 (PG10)	40mm (40)	-1 to 9 bar (-1+9)	Bar only (black) (B)	1/8" BSP ₁ (1) 1/8" NPT ₁ (2)	Bottom (BO)	Front flange (FF)
		50mm (50)	-30 to 130 Hg/Psi (-30+130)	Psi only (black) (P)	1/4" BSP (3) 1/4" NPT (4)	Centre back (CB)	Back flange (BF)
		63mm (63)	through to	Bar outer (black) / psi inner (red) (BP)	3/8" BSP ₂ (5) 3/8" NPT ₂ (6)	Lower back ₁ (LB)	
		80mm (80)	0 to 1000 bar (0+1000)	Psi outer (red) / bar inner (black) (PB)	1/2" BSP ₃ (7) 1/2" NPT ₃ (8)		
		100mm (100)	0 to 14500 Psi (0+14500)	kPa outer (black) / Psi inner (red) (KP)	1/8" BSPT ₁ (9) 1/4" BSPT (10) 3/8" BSPT ₂ (11) 1/2" BSPT ₃ (12) 7/16" UNF (13)		
			NB. 400 bar max for 40mm dial size	Psi outer (red) / kPa inner (black) (PK) NB. Other units available on request	1. Not 80mm or 100mm 2. 80mm & 100mm only 3. 100mm only NB. others available on request		NB. Flange for 100mm only. When more than one extra is required, please separate each code with a hyphen when building your product reference

Order example:

1. 100mm only

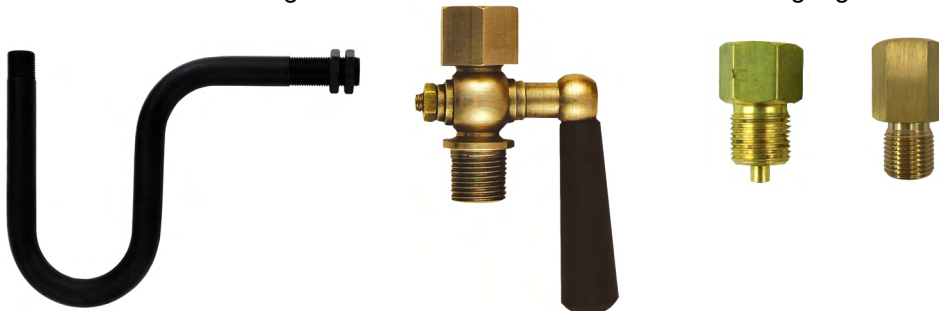
Make	Model	Dial diameter	Range	Units	Connection size	Connection orientation	Extras
BRN	PG10	100	0+10	B	4	BO	

Product reference: BRNPG10/100/0+10/B/4/BO

Product accessories:

Please see accessories section of this catalogue for associated items for use with these gauges.

- Syphons
- Gauge cocks
- Adaptors
- Snubbers



View me on
the website

